

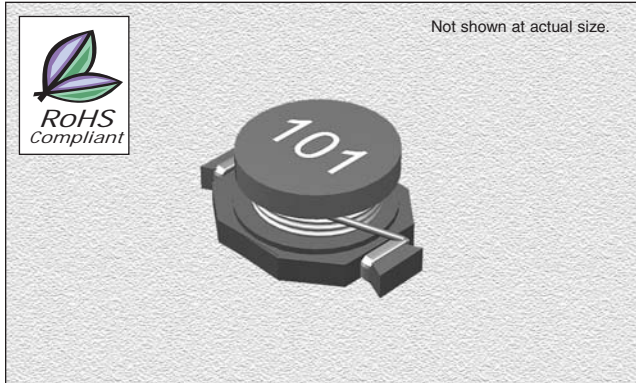
02-178F Series

From .18 μ H to 100 μ H

SPECIFICATIONS

Parts are available in $\pm 20\%$ tolerance only.

Part Number	Inductance (μ H)	L Test Freq. (kHz)	DCR Max. (Ω)	SRF Typ. (MHz)	Isat Typ. (A)	Irms (A)
02-178F-181	0.18	100	.003	800	14.0	10.0
02-178F-331	0.33	100	.004	600	10.0	7.0
02-178F-561	0.56	100	.010	200	7.7	6.0
02-178F-122	1.2	100	.017	140	5.3	4.4
02-178F-162	1.6	100	.025	100	4.5	4.2
02-178F-222	2.2	100	.035	100	3.5	3.1
02-178F-332	3.3	100	.043	80	3.0	2.7
02-178F-472	4.7	100	.054	50	2.6	2.2
02-178F-682	6.8	100	.09	45	2.2	1.8
02-178F-103	10	100	.11	40	1.9	1.5
02-178F-153	15	100	.17	30	1.5	1.2
02-178F-223	22	100	.25	25	1.2	1.0
02-178F-333	33	100	.36	20	.99	.82
02-178F-473	47	100	.47	15	.87	.72
02-178F-683	68	100	.73	7	.67	.56
02-178F-104	100	100	1.11	5	.53	.47

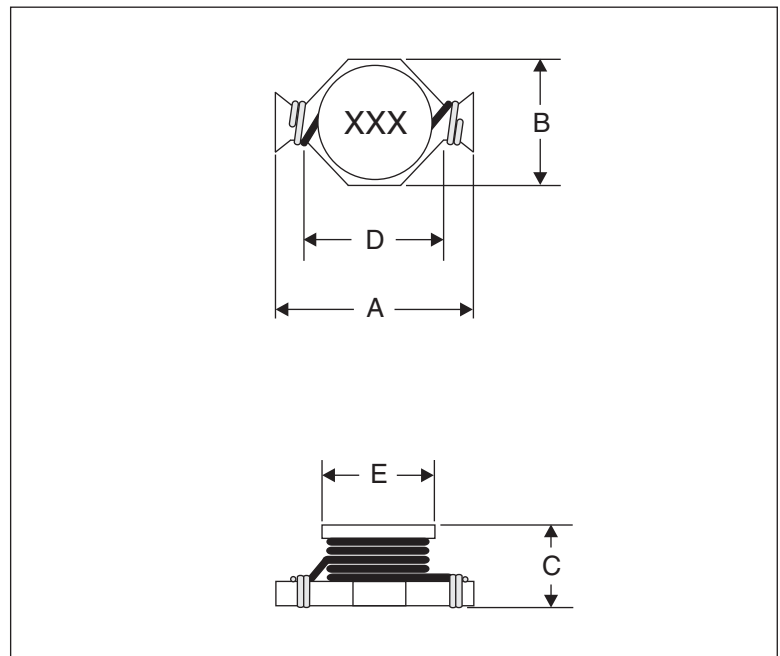


PHYSICAL DIMENSIONS

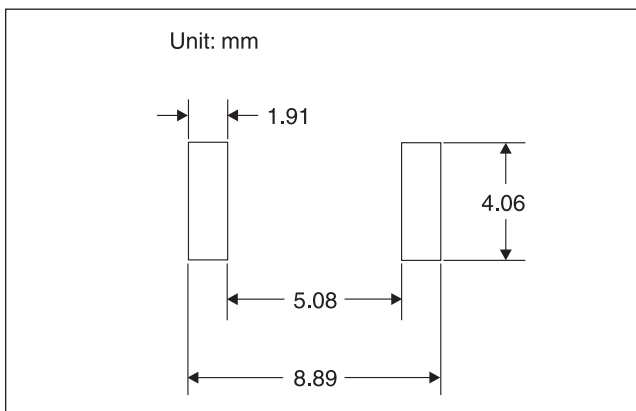
Size	A Max.	B Max.	C Max.	D	E
mm	8.89	6.10	5.00	5.84	4.57
inches	0.350	0.240	0.197	0.230	0.180

CHARACTERISTICS

- Description:** SMD power inductor
- Applications:** VTR power supplies, OA equipment, LCD televisions, PC notebooks, portable communication equipment, DC/DC converters. Step up & step down converters and flash memory programmers
- Operating Temperature:** -40°C to +85°C
- Inductance Tolerance:** $\pm 20\%$
- Inductance Drop:** 30% typically at Isat
- ΔT :** 40°C typically at I rms
- Testing:** Inductance is tested on an HP4285A @ 100kHz / 0.25 Vrms
- Packaging:** Tape & Reel
- Marking:** Inductance code
- Miscellaneous:** **RoHS Compliant.** Electrical specifications at 25°C
- Additional Information:** Additional electrical & physical information available upon request
- Samples available. See website for ordering information.**



PAD LAYOUT



01.11.10