

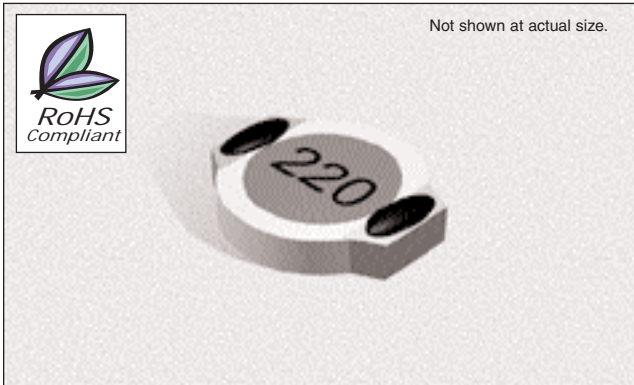
02-179F Series

From 22 μH to 68 μH

SPECIFICATIONS

Parts are available in $\pm 10\%$ tolerance only.

Part Number	Inductance (μH)	L Test Freq. (kHz)	DCR (Ω)	Isat (A)
02-179F-220	22	100	0.35	1.3
02-179F-330	33	100	0.60	1.0
02-179F-680	68	100	0.80	0.8



CHARACTERISTICS

Description: SMD power inductor

Applications: DC/DC converters, computers, LCD displays, telecommunication equipment and PDA palm tops. Designed for the higher current requirements of portable computers

Operating Temperature: -40°C to $+85^{\circ}\text{C}$

Storage Temperature: -40°C to $+85^{\circ}\text{C}$

Inductance Tolerance: $\pm 10\%$

Testing: Inductance is tested on an HP4285A at 100 kHz/1.0V

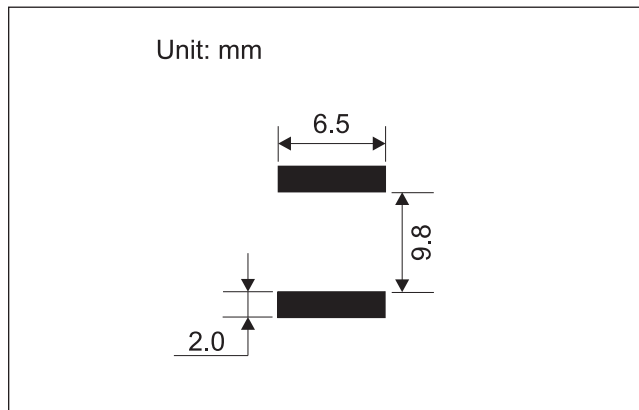
Packaging: Tape & Reel

Marking: Parts are marked with inductance code

Additional Information: Additional electrical & physical information available upon request

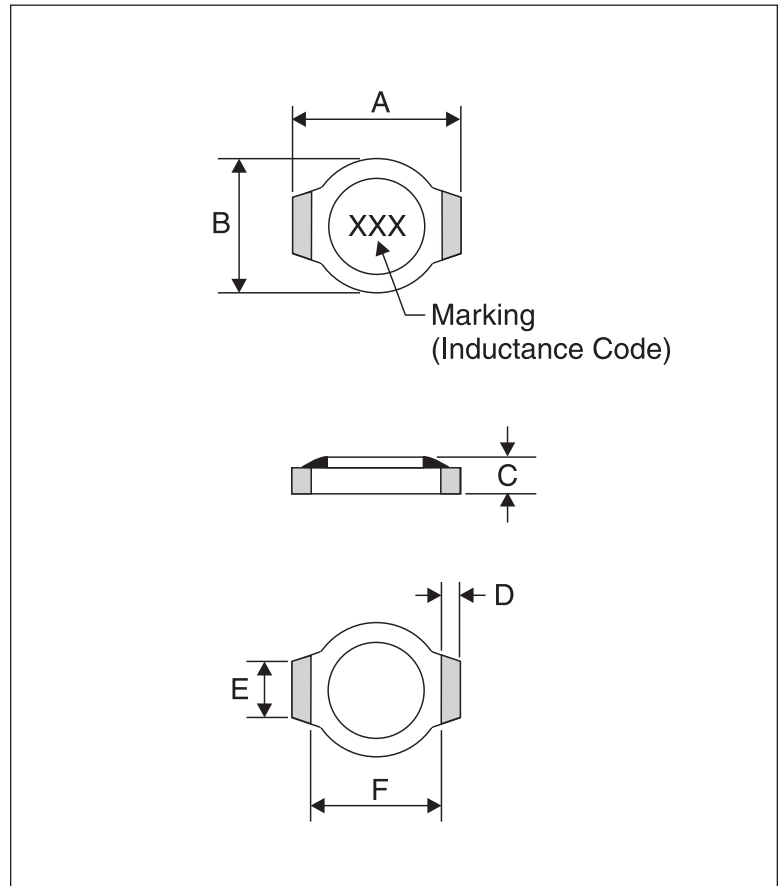
Samples available. See website for ordering information.

PAD LAYOUT



PHYSICAL DIMENSIONS

Size	A Max.	B Max.	C Max.	D	E	F
mm	13.1	10.4	1.95	1.3	5.3	10.6
inches	0.52	0.41	0.08	0.05	0.21	0.42



09.09.02

Manufacturer of Inductors, Chokes, Coils, Beads, Transformers & Toroids

800-684-5322 Inside US 949-453-1811 Outside US

Copyright © 2003 by CT Magnetics, DBA Central Technologies. All rights reserved.

CT Magnetics reserves the right to make improvements or change specifications without notice