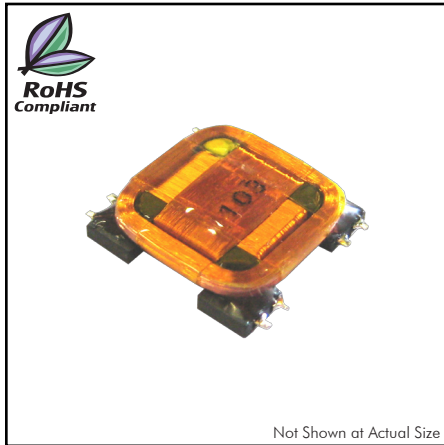


## 02-398F Series

From 2.47mH to 10mH



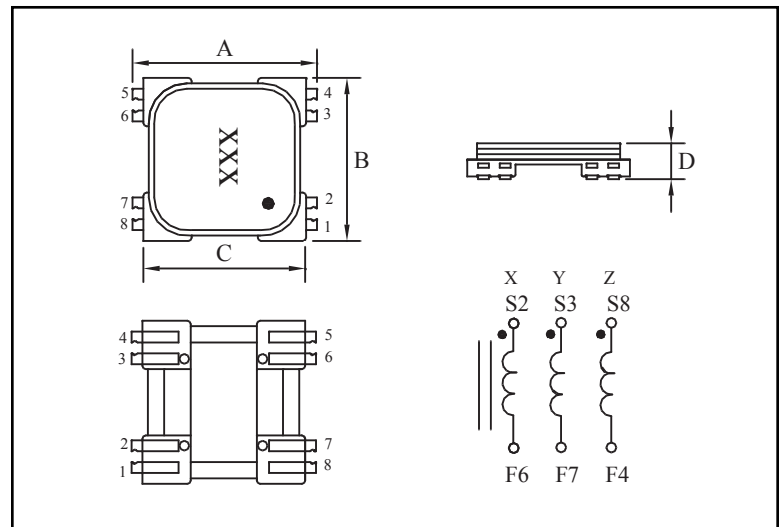
### SPECIFICATIONS

Part are available in ±5% inductance only.

Part Number	Inductance		SRF Typ. X,Y		SRF Typ. Z	DCR Max. X,Y	DCR Max. Z
	X,Y,Z (mH)	Q Typ. X,Y,Z	X,Y (KHz)	X,Y (KHz)	Z (KHz)	(Ω)	Z (Ω)
02-398F-242J	2.47	23.0	500	500	1000	75	75
02-398F-252J	2.58	23.0	500	500	800	75	75
02-398F-342J	3.45	27.0	450	450	800	85	100
02-398F-402J	4.05	27.0	400	400	800	98	98
02-398F-472J	4.77	28.0	380	380	800	100	136
02-398F-492J	4.91	27.0	350	350	750	105	140
02-398F-722J	7.20	30.0	330	330	750	120	172
02-398F-103J	10.0	25.0	250	250	550	165	258

### PHYSICAL DIMENSIONS

Size	A Max.	B Max.	C Max.	D Max.
mm	17.5	15.5	15.5	3.8
inches	0.689	0.610	0.610	0.150



### CHARACTERISTICS

**Description:** RFID Antenna Coil

**Applications:** Designed for Radio Frequency Identification Systems (RFID), Keyless Go Systems (Keyless entry), Tire Pressure Monitoring System (TPMS), Access control, Tracking devices.

**Operating Temperature:** -40°C to +85°C

**Inductance Tolerance:** ±5%

**Testing Frequency:** 125kHz / 1V

**Packaging:** Tape & Reel

**Miscellaneous:** RoHS Compliant.

**Additional Information:** Additional electrical & physical information available upon request.

**Samples available. See website for ordering information.**

### PAD LAYOUT

