

MW5650 SERIES ~ Wire Wound Chip Inductors

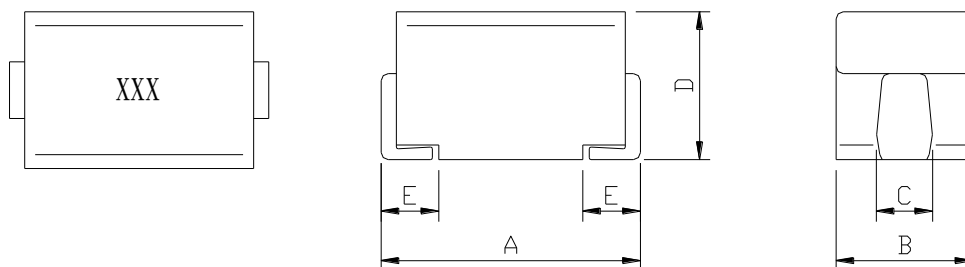


PART NUMBERING SYSTEM

| | | | | | |
|-----------|----------------|---|----------------|---|-----------|
| MW | 5 6 5 0 | — | 1 R 0 K | — | LF |
| TYPE | DIMENSIONS | | INDUCTANCE | | LEAD FREE |

SHAPES AND DIMENSIONS

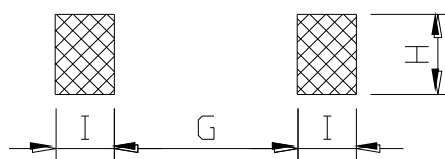
UNIT : mm



A=5.6±0.3 B=5.0±0.3 C=4.0±0.2 D=5.3 Max. E=1.0 Ref.

RECOMMENDED PATTERNS

UNIT : mm



G=4.0 H=4.5 I=2.0

FEAUTES

- Low DC resistance and high current
- Inductance range from 1uH to 10000uH
- Application for Personal computers, Hard disk drives , XDSL modern and Cable modern .
- RoHS Compliant .

MW5650 SERIES ~ Wire Wound Chip Inductors



SPECIFICATION TABLE

| PART NUMBER | INDUCTANCE (μ H) | Q. MIN. | TEST FREQ (MHz) | SRF (MHz) MIN. | DCR (Ω) (max) | IDC (mA) (max) |
|----------------|--------------------------|------------|--------------------|-------------------|---------------------------|-------------------|
| MW5650-1R0K-LF | 1.0 \pm 10% | 10 | 7.96 | 95 | 0.030 | 1800 |
| MW5650-1R2K-LF | 1.2 \pm 10% | 10 | 7.96 | 70 | 0.035 | 1700 |
| MW5650-1R5K-LF | 1.5 \pm 10% | 10 | 7.96 | 55 | 0.04 | 1600 |
| MW5650-1R8K-LF | 1.8 \pm 10% | 10 | 7.96 | 47 | 0.05 | 1400 |
| MW5650-2R2K-LF | 2.2 \pm 10% | 10 | 7.96 | 42 | 0.06 | 1300 |
| MW5650-2R7K-LF | 2.7 \pm 10% | 10 | 7.96 | 37 | 0.07 | 1200 |
| MW5650-3R3K-LF | 3.3 \pm 10% | 10 | 7.96 | 34 | 0.08 | 1120 |
| MW5650-3R9K-LF | 3.9 \pm 10% | 10 | 7.96 | 32 | 0.09 | 1050 |
| MW5650-4R7K-LF | 4.7 \pm 10% | 10 | 7.96 | 29 | 0.11 | 950 |
| MW5650-5R6K-LF | 5.6 \pm 10% | 10 | 7.96 | 26 | 0.13 | 880 |
| MW5650-6R8K-LF | 6.8 \pm 10% | 10 | 7.96 | 24 | 0.15 | 810 |
| MW5650-8R2K-LF | 8.2 \pm 10% | 10 | 7.96 | 22 | 0.18 | 750 |
| MW5650-100K-LF | 10.0 \pm 10% | 10 | 2.52 | 19 | 0.21 | 690 |
| MW5650-120K-LF | 12.0 \pm 10% | 10 | 2.52 | 17 | 0.25 | 630 |
| MW5650-150K-LF | 15.0 \pm 10% | 10 | 2.52 | 16 | 0.30 | 580 |
| MW5650-180K-LF | 18.0 \pm 10% | 10 | 2.52 | 14 | 0.36 | 530 |
| MW5650-220K-LF | 22.0 \pm 10% | 10 | 2.52 | 13 | 0.43 | 480 |
| MW5650-270K-LF | 27.0 \pm 10% | 10 | 2.52 | 11.5 | 0.52 | 440 |
| MW5650-330K-LF | 33.0 \pm 10% | 10 | 2.52 | 10.5 | 0.62 | 400 |
| MW5650-390K-LF | 39.0 \pm 10% | 10 | 2.52 | 9.5 | 0.72 | 370 |
| MW5650-470K-LF | 47.0 \pm 10% | 10 | 2.52 | 8.5 | 0.85 | 340 |
| MW5650-560K-LF | 56.0 \pm 10% | 10 | 2.52 | 7.8 | 1.0 | 310 |
| MW5650-680K-LF | 68.0 \pm 10% | 10 | 2.52 | 7.0 | 1.2 | 290 |
| MW5650-820K-LF | 82.0 \pm 10% | 10 | 2.52 | 6.4 | 1.4 | 270 |

- Rated DC current : Base on temperature rise not to exceed at 20°C and inductance is 90% more than its nominal value.
- Operating temperature : -40°C to 105°C.



MW5650 SERIES ~ Wire Wound Chip Inductors



SPECIFICATION TABLE

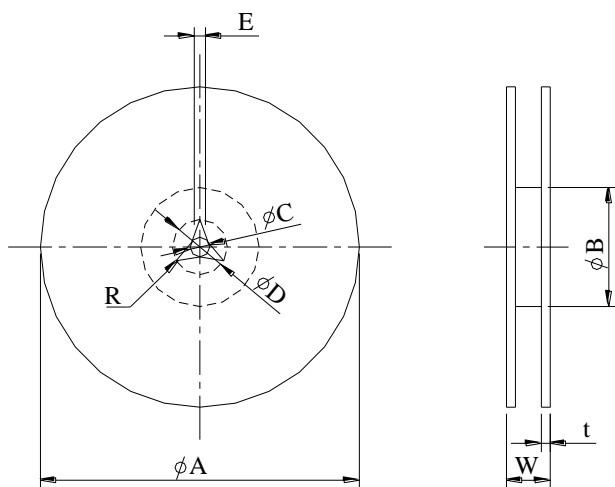
| PART NUMBER | INDUCTANCE (μ H) | Q. MIN. | TEST FREQ (MHz) | SRF (MHz) MIN. | DCR (Ω) (max) | IDC (mA) (max) |
|----------------|--------------------------|------------|--------------------|-------------------|---------------------------|-------------------|
| MW5650-101K-LF | 100 \pm 10% | 20 | 0.796 | 6.0 | 1.6 | 250 |
| MW5650-121K-LF | 120 \pm 10% | 20 | 0.796 | 5.4 | 1.9 | 230 |
| MW5650-151K-LF | 150 \pm 10% | 20 | 0.796 | 4.8 | 2.2 | 210 |
| MW5650-181K-LF | 180 \pm 10% | 20 | 0.796 | 4.4 | 2.8 | 190 |
| MW5650-221K-LF | 220 \pm 10% | 20 | 0.796 | 3.9 | 3.4 | 170 |
| MW5650-271K-LF | 270 \pm 10% | 20 | 0.796 | 3.6 | 4.2 | 155 |
| MW5650-331K-LF | 330 \pm 10% | 20 | 0.796 | 3.2 | 4.9 | 140 |
| MW5650-391K-LF | 390 \pm 10% | 20 | 0.796 | 2.9 | 5.8 | 130 |
| MW5650-471K-LF | 470 \pm 10% | 20 | 0.796 | 2.6 | 7.0 | 120 |
| MW5650-561K-LF | 560 \pm 10% | 20 | 0.796 | 2.4 | 8.5 | 110 |
| MW5650-681K-LF | 680 \pm 10% | 20 | 0.796 | 2.2 | 10 | 100 |
| MW5650-821K-LF | 820 \pm 10% | 20 | 0.796 | 2.0 | 13 | 90 |
| MW5650-102K-LF | 1000 \pm 10% | 20 | 0.252 | 1.8 | 15 | 85 |
| MW5650-122J-LF | 1200 \pm 5% | 20 | 0.252 | 1.5 | 17 | 75 |
| MW5650-152J-LF | 1500 \pm 5% | 20 | 0.252 | 1.4 | 20 | 70 |
| MW5650-182J-LF | 1800 \pm 5% | 20 | 0.252 | 1.3 | 30 | 60 |
| MW5650-222J-LF | 2200 \pm 5% | 20 | 0.252 | 1.2 | 35 | 55 |
| MW5650-272J-LF | 2700 \pm 5% | 20 | 0.252 | 1.1 | 55 | 45 |
| MW5650-332J-LF | 3300 \pm 5% | 20 | 0.252 | 1.0 | 60 | 40 |
| MW5650-392J-LF | 3900 \pm 5% | 20 | 0.252 | 1.0 | 70 | 38 |
| MW5650-472J-LF | 4700 \pm 5% | 20 | 0.252 | 0.9 | 78 | 36 |
| MW5650-562J-LF | 5600 \pm 5% | 20 | 0.252 | 0.8 | 85 | 33 |
| MW5650-682J-LF | 6800 \pm 5% | 20 | 0.252 | 0.7 | 110 | 30 |
| MW5650-822J-LF | 8200 \pm 5% | 20 | 0.252 | 0.6 | 125 | 28 |
| MW5650-103J-LF | 10000 \pm 5% | 15 | 0.0796 | 0.5 | 150 | 25 |

- Rated DC current : Base on temperature rise not to exceed at 20 $^{\circ}$ C and inductance is 90% more than its nominal value.
- Operating temperature : -40 $^{\circ}$ C to 105 $^{\circ}$ C.

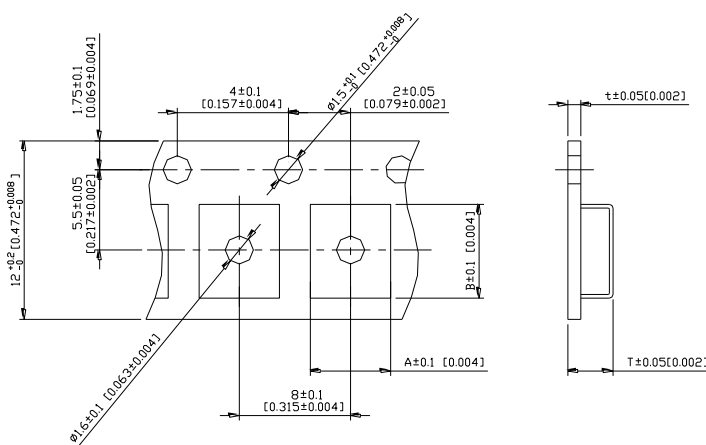
MW5650 SERIES ~ Wire Wound Chip Inductors



PACKAGING SPECIFICATION



| | A | B | C | D | E | W8 | W12 | t | R |
|----------------------------------|------------|---|-------------------|-------------------|---------------|----|-----|---|---|
| T($\psi 330\text{mm}$) Reel | $\psi 330$ | — | $\psi 13 \pm 1.0$ | $\psi 23 \pm 1.0$ | 2.5 ± 0.5 | — | — | — | — |



| TYPE | A | B | T | t | T($\psi 330\text{mm}$) |
|--------|---|---|---|---|--------------------------|
| MW5650 | — | — | — | — | 1000 pcs/reel |