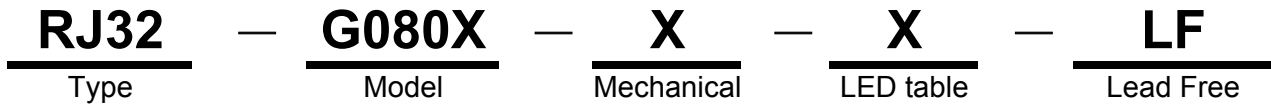


Through Hole Tab-Down RJ45 Jack with Gigabit Magnetic



Coilmaster Electronics Co., Ltd.

PART NUMBERING SYSTEM



(1) RJ32 Series Mechanical :

A	With LED and EMI-Finger (10P8C)
B	With LED and Non EMI-Finger (10P8C)
C	Without LED with EMI-Finger (10P8C)
D	Without LED and EMI-Finger (10P8C)



RoHS Compliant

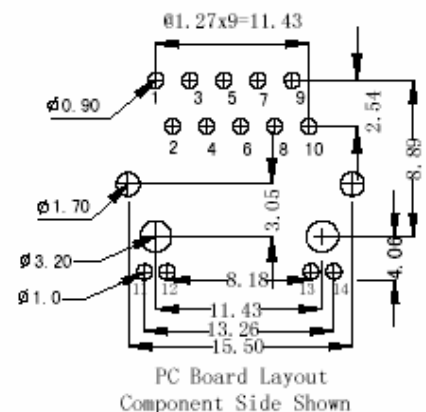
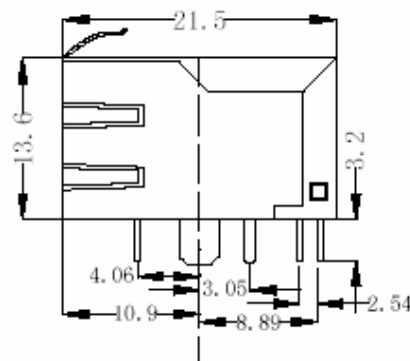
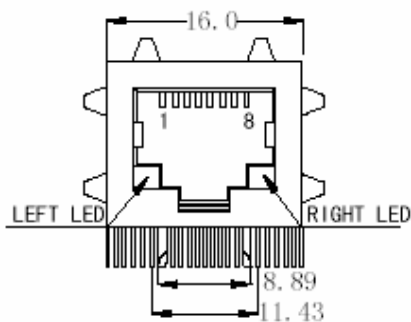
(2) LED ordering options :

LED Code	LED COLOR		LED POLARITY
	LEFT	RIGHT	
A	Y	G	11 ←
B	G	Y	12 ←
C	G	G	14 ←
D	Y	G	13 ←
E	G	Y	12 ←
F	G	G	13 ←
V	G	OG	11 ← 12 ← 13 ← 14 ←



SHAPES AND DIMENSIONS

A



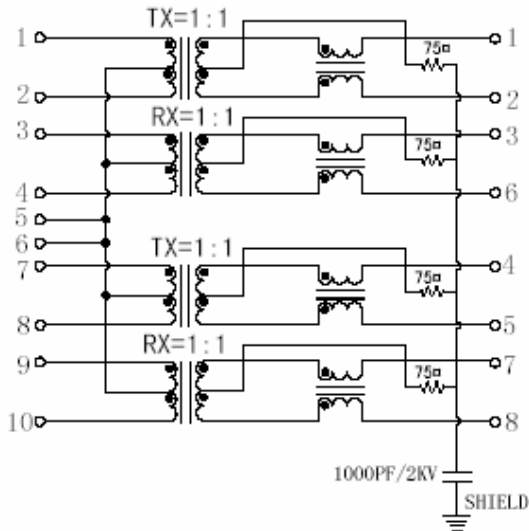
Through Hole Tab-Down RJ45 Jack with Gigabit Magnetic



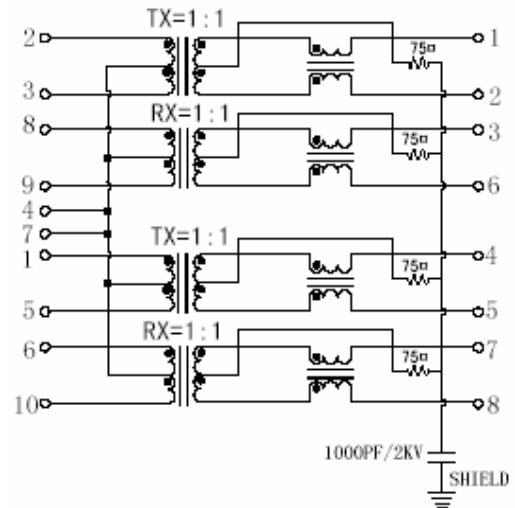
Coilmaster Electronics Co., Ltd.

Schematics

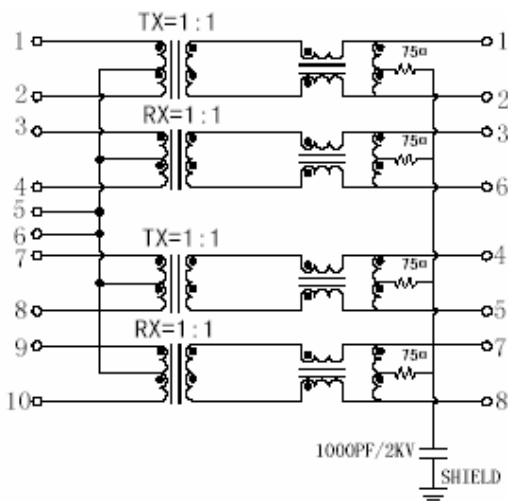
RJ32-G0801-LF



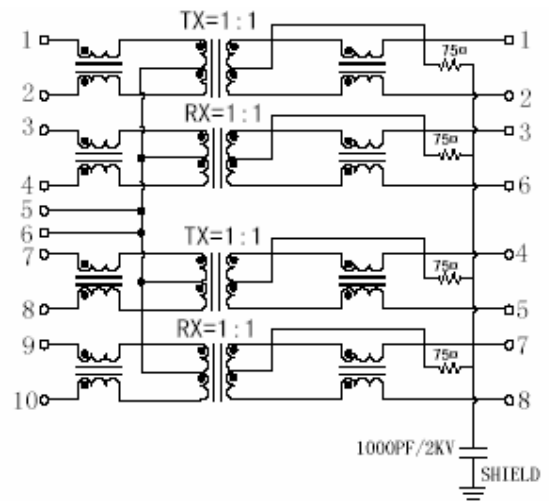
RJ32-G0802-LF



RJ32-G0803-LF



RJ32-G0804-LF



Through Hole Tab-Down RJ45 Jack with Gigabit Magnetic



Coilmaster Electronics Co., Ltd.

FEATURES

1. Single port Tab-Down with internal magnetics for 1000 Base-TX .
2. **Internal magnetics options available**
3. 350uH min. OCL with 8mA bias current
4. RoHS compliant peak solder rating 235°C

ELECTRICAL CHARACTERISTICS @ 25°C --- Operating Temperature 0°C to 70°C

PART NUMBER	Turns Ratios		Insertion Loss (dB typ.) 0.3-100MHz	Return loss (dB typ)@100Ω MHz				Crosstalk (dB Typ) MHz			CMR (dB typ) MHz			Hipot (Vrms)
	TX	RX		1-30	40	50	60-80	30	60	100	30	60	100	
RJ32-G0801-LF	1:1	1:1	-1.2	-16	-13.5	-11.5	-10	-40	-36	-30	-35	-32	-30	1500
RJ32-G0802-LF	1:1	1:1	-1.2	-16	-13.5	-11.5	-10	-40	-36	-30	-35	-32	-30	1500
RJ32-G0803-LF	1:1	1:1	-1.2	-16	-13.5	-11.5	-10	-40	-36	-30	-35	-32	-30	1500
RJ32-G0804-LF	1:1	1:1	-1.2	-16	-13.5	-11.5	-10	-40	-36	-30	-35	-32	-30	1500