



SDS1015 SERIES ~



RoHS Compliant

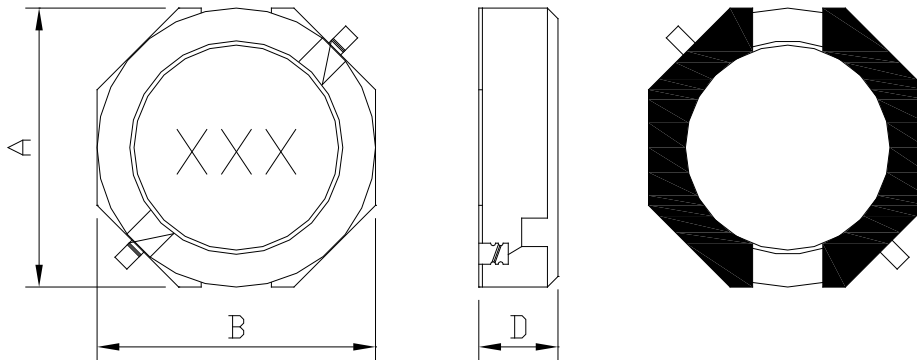
Low Profile Shielded Power Inductors

PART NUMBERING SYSTEM

<u>SDS</u>	<u>1015</u>	—	<u>100M</u>	—	<u>LF</u>
TYPE	DIMENSIONS		INDUCTANCE		LEAD FREE

SHAPES AND DIMENSIONS

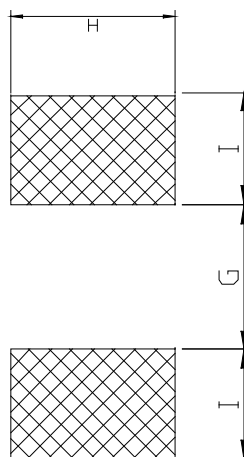
UNIT : mm



A=10.3 Max. B=10.3 Max. D=1.5 Max.

RECOMMENDED PATTERNS

UNIT : mm



G=2.0 H=7.3 I=2.65

FEATURES

- Compact, Low profile shielded power inductor – only 1,5 mm high, 10.3 mm square
- Ideal for high-density applications
- DC/DC converter for TFT monitor and television and Note book PC and portable equipment .
- Flat bottom surface ensure secure , reliable mounting .
- Handles current up to 3.4 Amps!
- RoHS-compliant. 260°C compatible.



Coilmaster Electronics Co., Ltd.

9F-3 No.398, Huan Bei Rd. Chung Li City, Taoyuan 320, Taiwan

Tel : +886-3-422-8279 Fax : +886-3-422-8734

E-mail : info@coilmaster.com.tw

Web Site : www.coilmaster.com.tw

SDS1015 SERIES ~ **New Products**



RoHS Compliant

Low Profile Shielded Power Inductors

SPECIFICATION TABLE

PART NUMBER	INDUCTANCE (μ H)	DCR ($m\Omega$) (Max.)	Isat (A)	TEST FREQ. (f)
SDS1015-2R7M-LF	2.7 \pm 20%	42.0	3.40	100KHz/1V
SDS1015-3R3M-LF	3.3 \pm 20%	50.0	3.20	100KHz/1V
SDS1015-4R7M-LF	4.7 \pm 20%	65.0	2.80	100KHz/1V
SDS1015-6R8M-LF	6.8 \pm 20%	100.0	2.20	100KHz/1V
SDS1015-100M-LF	10 \pm 20%	120.0	1.80	100KHz/1V
SDS1015-220M-LF	22 \pm 20%	270.0	1.20	100KHz/1V
SDS1015-330M-LF	33 \pm 20%	390.0	0.95	100KHz/1V
SDS1015-470M-LF	47 \pm 20%	500.0	0.85	100KHz/1V

- Inductance tested at 100kHz, 1 Vrms, 0 Adc using an Agilent/HP 4284A LCR meter or equivalent.
- Isat : DC current at which the inductance drops 30% (typ) from its value without current.
- Irms: Current that causes the specified temperature rise from 25°C ambient.
- Operating temperature range -40°C to +125°C.
- Electrical specifications at 25°C.