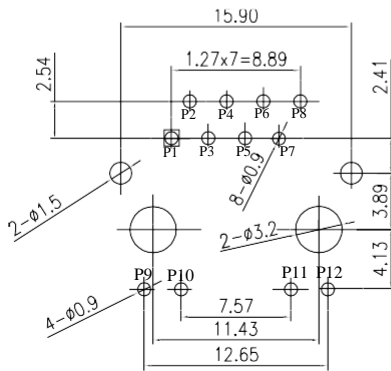
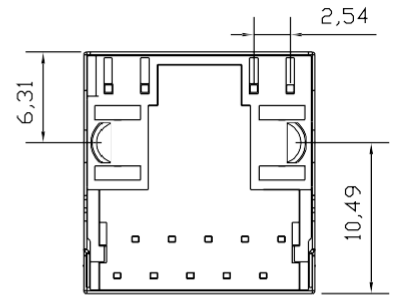
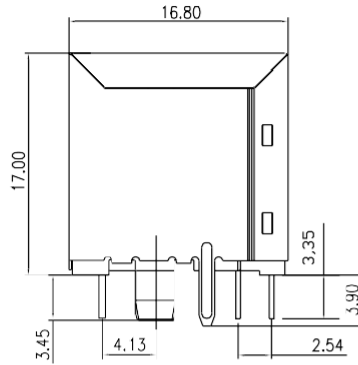
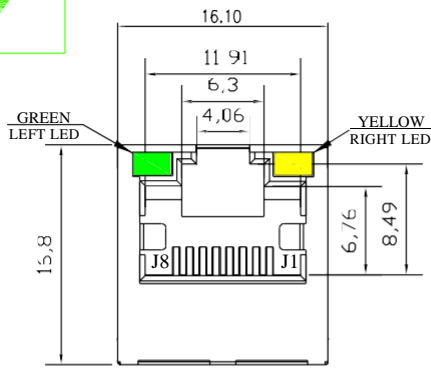




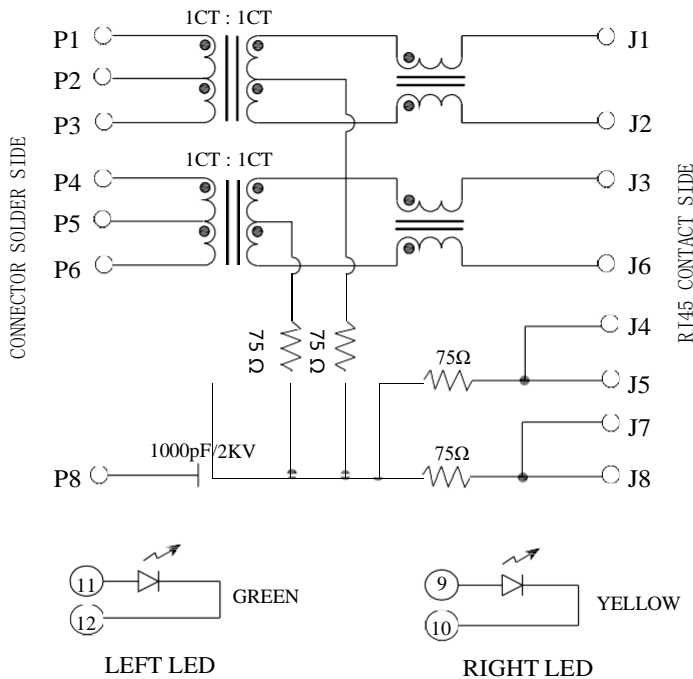
Pulse Electronic JD2-0001NL alternative



Suggested PCB Layout

NOTES:

1. Designed to support application, such as SOHO (ADSL modems), LAN-on-Motherboard (LOM), hub and Switches.
2. Meets IEEE 802.3 specification.
3. Connector Materials:
Housing: Thermoplastic UL94V-0
Contact/Shield: Copper alloy
Shield plating: Nickel
Contact plating: Gold 6 micro-inches min. In contact area.
4. Wave solder tip temperature: 265 °C
Wave solder tip temperature time: 5 Sec Max



ELECTRICAL SPECIFICATIONS @25°C:

1. Turn Ratio: 1CT:1CT ±5%
2. OCL: 350uH MIN @ 100KHz 100mV, 8mA DC
3. Insertion Loss: 1-100MHz: -1.2dB MAX
4. Return Loss (dB MIN):
1-30MHz: -16 30-60MHz: -12
60-80MHz: -10
5. Cross Talk (dB MIN):
1-100MHz: -30
6. Common Mode Rejection (dB MIN):
1-100MHz: -30
7. Hi-Pot: 1500Vac 60s or 2250Vdc 60s
8. Operating temperature range: -40°C TO +85°C

LED Specification

Standard LED Color	LED Wavelength	Forward (V Max)	Typical (V TYP)
Green	560-580nm	2.5	2.1~2.2
Yellow	580-610nm	2.5	2.1~2.2

Part Number	TITLE: Vertical RJ45 Connector 1x1 Port With LED With 10/100 Base-T Magnetic Module	Rev: A	DRAW: AJ. Yang	Date: 2016. 06. 28
ZFD611012EE		Page: 1/1	APPD: SJ. Li	Date: 2016. 07. 28

Dimensions in mm . Unless otherwise specified, Tolerance: xx ±0.25