

**Adam Tech EBJ04C alternative > CLF-5**  
4 Pos Plugable Euroblk .197

**Approvals**



10A - 300V

**Electrical**

Rated voltage 250V  
 Rated current 12A  
 Contact resistance 20mΩ  
 Insulation resistance 500MΩ/DC500V  
 Withstanding voltage AC1600V/1 min  
 Wire range 28-16AWG 1,5mm2

Torque 0,4Nm(3.6 Lbln)  
 Temp. Range -40°C + 105°C  
 Stripping length 5mm  
 Max sold. time

**Dimensions**

Pitch 5 mm  
 Poles 2÷24

**Material**

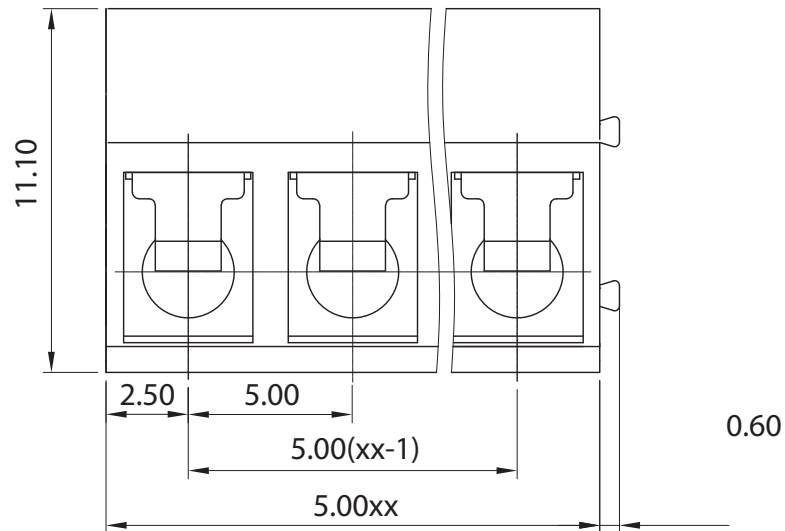
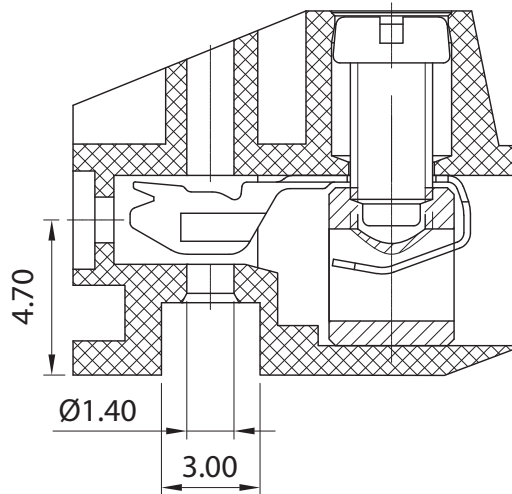
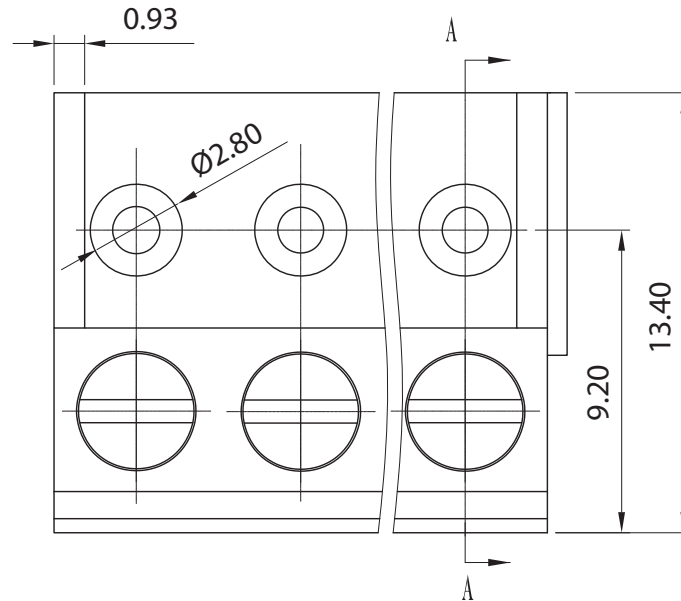
Housing PA66 UL94V0  
 Pin  
 Cage Copper Alloy, Ni plated  
 Screws M2,5 Steel Zn plated  
 Side Block  
 Nut screw  
 Clamp Copper Alloy, Ni plated

**General description of ordering code**

Series	n. Poles	Pitch	Version	Color	Custom
CLF	02÷24	-5			

**Version Date**

21/01 18/05/2021



UNITS: mm

SHEET SIZE: ISO A4

SCALE: 10:1

> 0 ~ 3

> 3 ~ 18

> 18 ~ 50

> 50 ~ 120

± 0.12

± 0.15

± 0.3

± 0.5



First angle projection

**CLF-5**