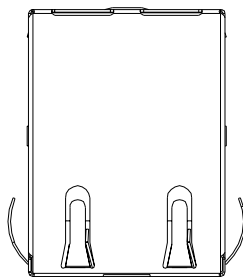


1 REACH & RoHS COMPLIANT

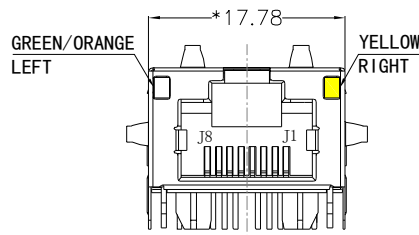
2 **PULSE J0G-0001NL alternative RJ45**  
 3 CONNECTOR, JACK, 8P8C, THT



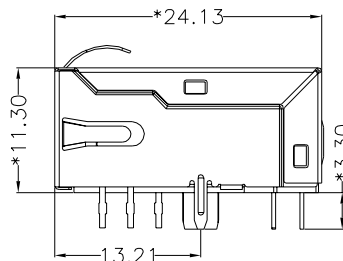
6 REV.	7 ECN / DESCRIPTION	8 BY	DATE
A0	NEW	MQ.Qu	2018.05.24



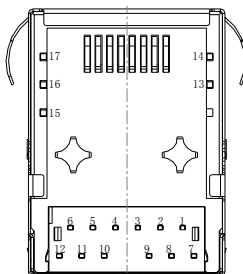
TOP VIEW



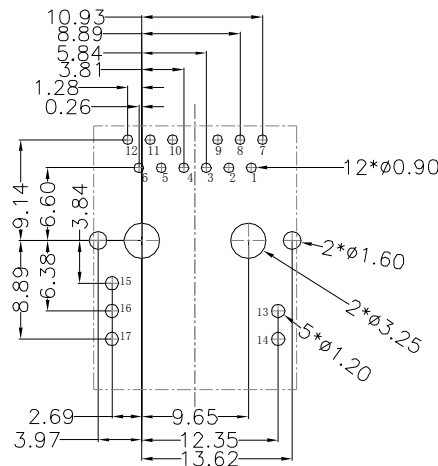
FRONT VIEW



RIGHT SIDE VIEW



BOTTOM VIEW



**MATERIAL:**

HOUSING: LCP,UL94V-0,BLACK.  
 TERMINALS BRACKET: PA66,UL94V-0,BLACK.  
 SHIELD: C2680,T=0.20MM,NICKEL PLATING ON ALL AREA.  
 TERMINAL: PHOSPHOR BRONZE C5210,T=0.35MM,  
 6U" GOLD PLATING ON CONTACT AREA.

**MECHANICAL:**

DURABILITY: 750 CYCLES MIN.  
 MATING FORCE: 23N MAX.  
 OPERATING TEMPERATURE: -40°C~+85°C.  
 STORAGE TEMPERATURE: -40°C~+85°C.  
 ALL CRITICAL DIMENSIONS WITH "\*"

**BEC Distribution Limited**

TITLE: TAB-UP 1X1 1000BASE	SIZE A4	UNITS MM[INCH]	GENERAL TOLERANCES UNLESS SPECIFIED		APPROVED BY: JP.Gong
PART NO.: JDFK811Q112FN4A10D057	SACLE 1:1	REV A0	x±0.35	x°±3.0°	CHECKED BY: TW.Xu
REMARK:	SHEET 1/3		.xx±0.25	.xx°±1.5°	DESIGND BY: MQ.Qu
			.xxx±0.10	.xxx°±1.0°	

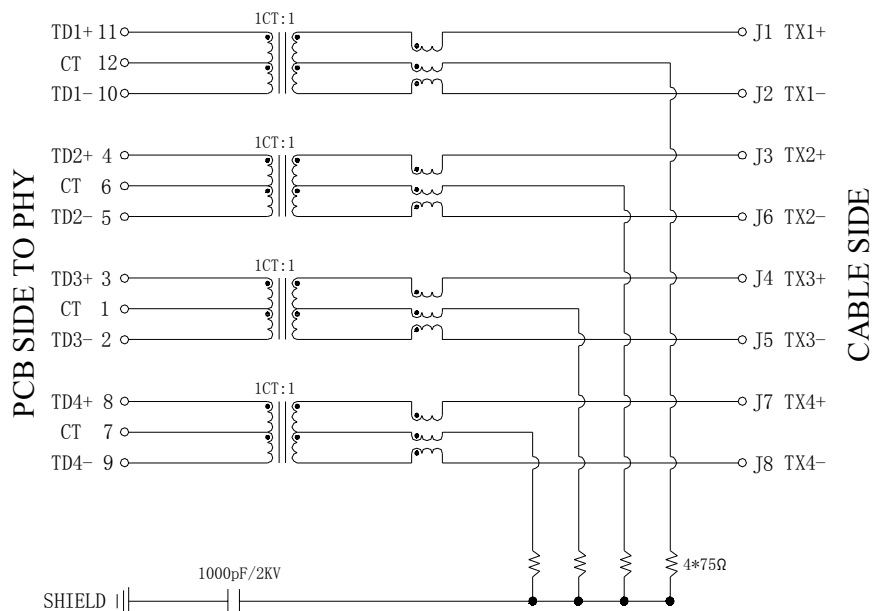
REACH & RoHS  
COMPLIANT

**PULSE J0G-0001NL alternative RJ45**

CONNECTOR, JACK, 8P8C, THT

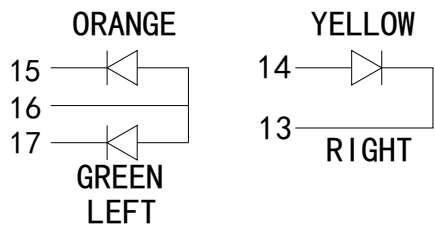


REV.	ECN / DESCRIPTION	BY	DATE
A0	NEW	ZG.Hu	2018.05.24



**Electrical:**

- Turn ratio: 11~10: J1~J2=1CT:1CT(±2%).  
4~5: J3~J6=1CT:1CT(±2%).  
3~2: J4~J5=1CT:1CT(±2%).  
8~9: J7~J8=1CT:1CT(±2%).
- OCL: 350uH Min. at 100KHz 100mV 8mA DC.
- Insertion Loss: -1.0 dB Max 1~100MHz.
- Return loss: -18dB Min 1~30MHz;  
-14dB Min 30~60MHz.  
-12dB Min 60~80MHz.  
-10dB Min 80~100MHz.
- Cross talk: -40dB Min 1~30MHz;  
-35dB Min 30~60MHz;  
-30dB Min 60~100MHz;
- CMR: -30dB Min 1~100MHz;
- Hi-Pot: 2250V DC 6S 1mA PRI TO SEC



**LED Specification**

Standard LED Color	LED Wavelength	Foward(A)	Foward(V)
Green	568nm	20mA	1.85-2.45V
Yellow	585nm	20mA	1.7-2.2V
Orange	568nm	20mA	1.8-2.8V

**BEC Distribution Limited**

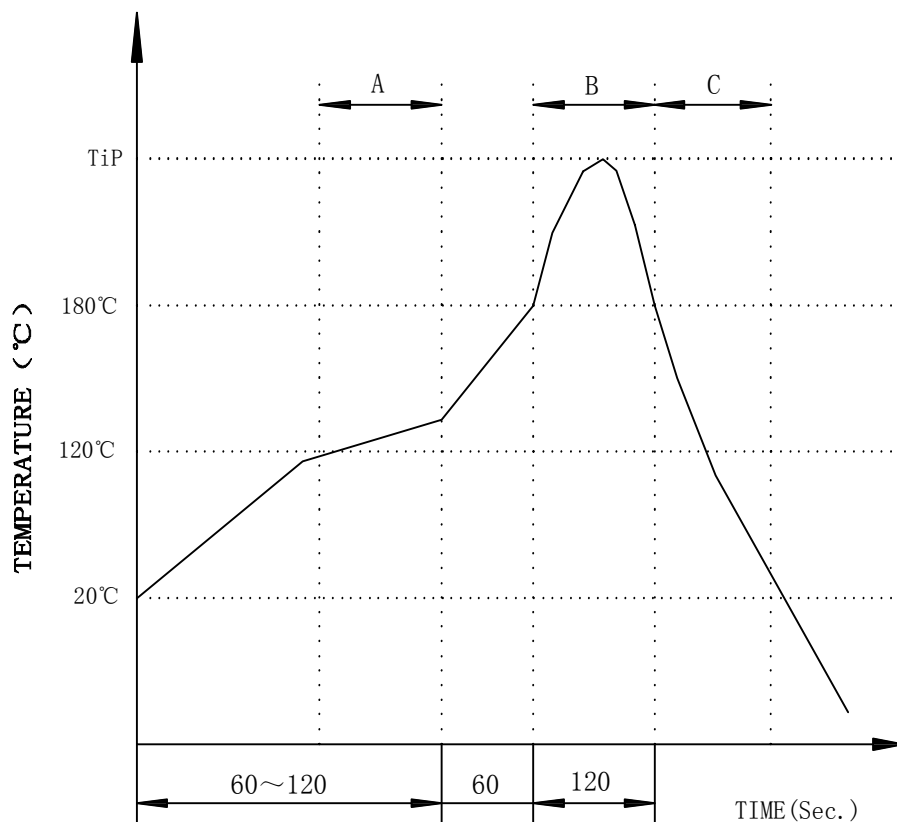
TITLE: TAB-UP 1X1 1000BASE	SIZE A4	UNITS MM[INCH]	GENERAL TOLERANCES UNLESS SPECIFIED		APPROVED BY: JP.Gong
PART NO.: JDFK811Q112FN4A10D057	SACLE 1:1	REV A0	x±0.35	x°±3.0°	CHECKED BY: TW.Xu
REMARK:	SHEET 2/3		.xx±0.25	.xx°±1.5°	DESIGND BY: ZG.Hu
			.xxx±0.10	.xxx°±1.0°	

REACH & RoHS  
COMPLIANT

# PROFILE OF WAVE SOLDER



REV.	ECN / DESCRIPTION	BY	DATE
A0	NEW	ZG.Hu	2018.05.24



A.Preheating B.Soldering C.Gradual Cooling  
 Tip temperature:260±5°C.  
 Tip temperature time:5Sec Max.  
 Tip melting point of Sn96.5/Ag3/Cu0.5:217°C.

Remarks: after wave soldering, the plastic positioning columns of the product which under the PCB will be slightly melted, but it won't affect its function.

**PULSE J0G-0001NL alternative RJ45**

CONNECTOR, JACK, 8P8C, THT

**BEC Distribution Limited**

TITLE: TAB-UP 1X1 1000BASE	SIZE A4	UNITS MM[INCH]	GENERAL TOLERANCES UNLESS SPECIFIED		APPROVED BY: JP.Gong	
	PART NO.: JDFK811Q112FN4A10D057	SACLE 1:1	REV A0	x±0.35 .x±0.30	x°±3.0° .x°±2.0°	CHECKED BY: TW.Xu
	REMARK:	SHEET 3/3		.xx±0.25 .xxx±0.10	.xx°±1.5° .xxx°±1.0°	DESIGND BY: ZG.Hu