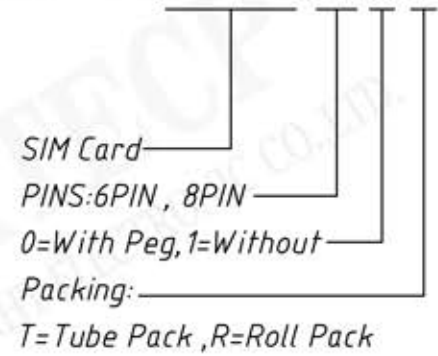


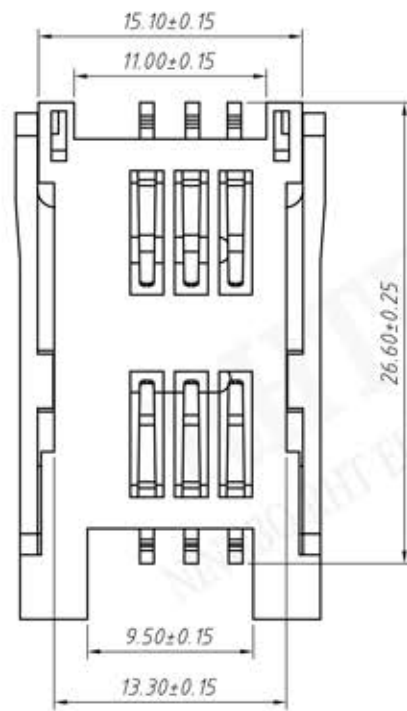
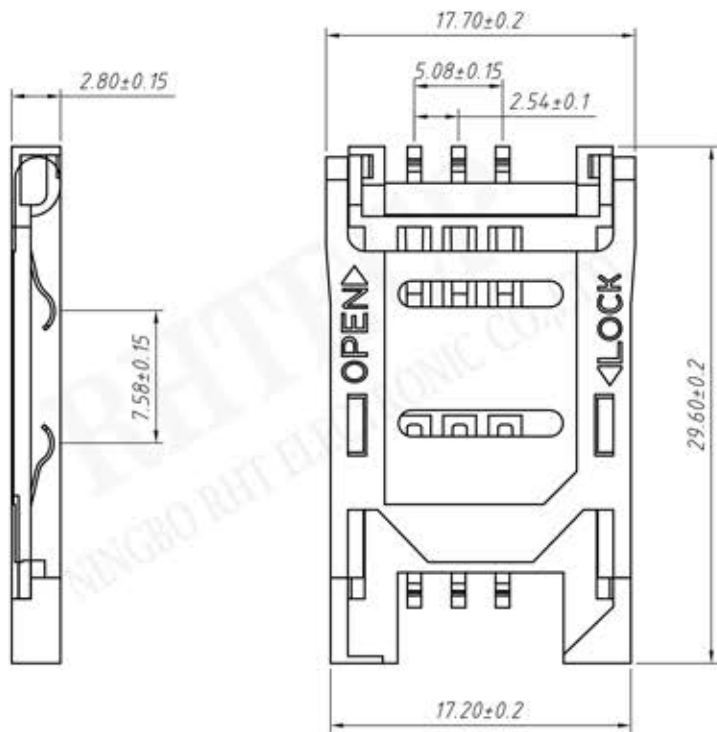
PCB LAYOUT

Material:
 Insulator body:LCP.
 Contact:Copper Alloy.
Plating:
 Finish:Tin Gold or Duplex plated.
 Standard:Gold flash all over Nickel.
Electrical:
 Current Rating:3Amps.
 Insulation Resistance:5000MΩ Min.
 Dielectric Withstanding:DC 500V.
 Contact Resistance:20mΩ Max.
 Durability:100gf Cycles Min.
 Operating Temperature:-45°C TO +105°C

Order Information:
 RE - C - SIM-010-6P-0-R



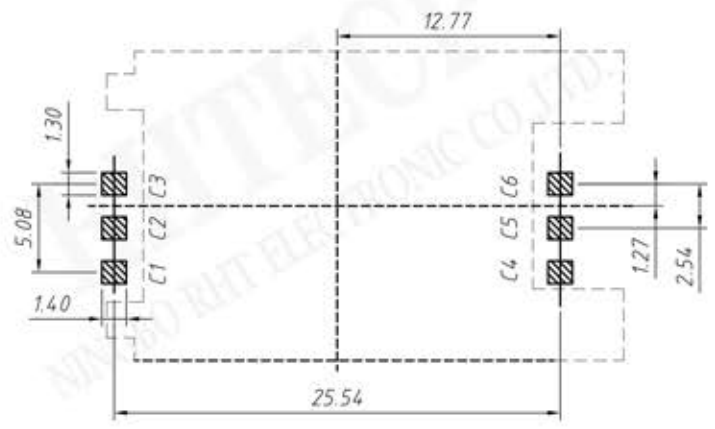
UNITS:mm	SHEET SIZE:A4		SCALE: ---
> 0~ 3	> 3~ 18	> 18~ 50	> 50~ 120
± 0.12	± 0.15	± 0.3	± 0.5



Material:
 Insulator body:LCP.
 Contact:Copper Alloy.

Plating:
 Finish:Tin Gold or Duplex plated.
 Standard:Gold flash all over Nickel.

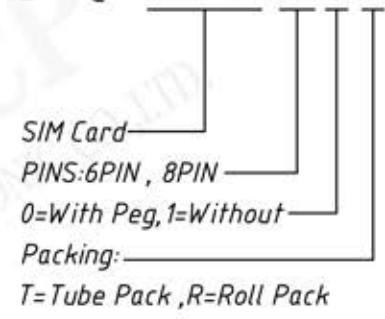
Electrical:
 Current Rating:3Amps.
 Insulation Resistance:1000MΩ Min.
 Withstanding Voltage:AC 1000V
 Contact Resistance:20mΩ Max.
 Durability:100gf Cycles Min.
 Operating Temperature:-40°C TO +105°C
 Max.Processing Temp:230°C for 30-60 seconds
 (260°C for 10 seconds)



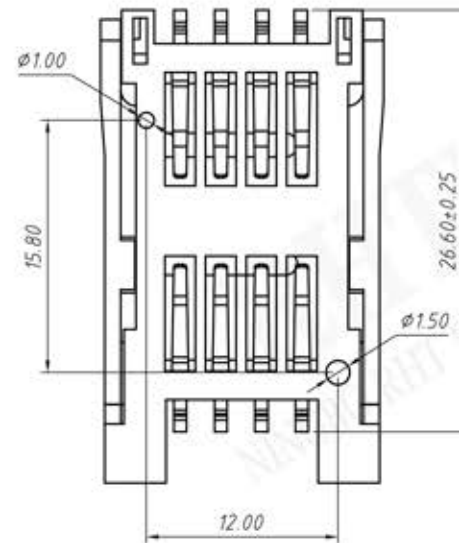
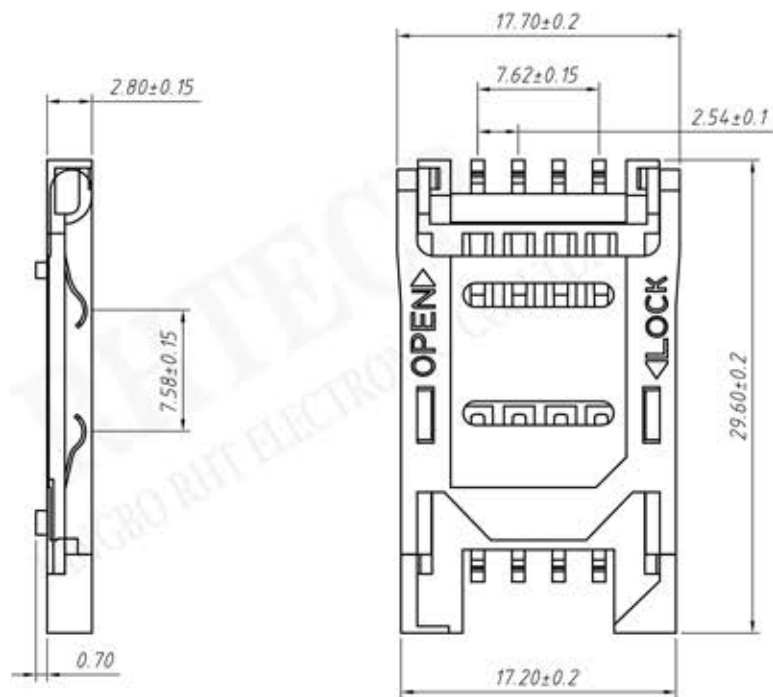
PCB LAYOUT

Order Information:

RE - C - SIM-010-6P-1-R



UNITS:mm	SHEET SIZE:A4		SCALE: ---
> 0~ 3	> 3~ 18	> 18~ 50	> 50~ 120
± 0.12	± 0.15	± 0.3	± 0.5



Material:
 Insulator body:LCP.
 Contact:Copper Alloy.

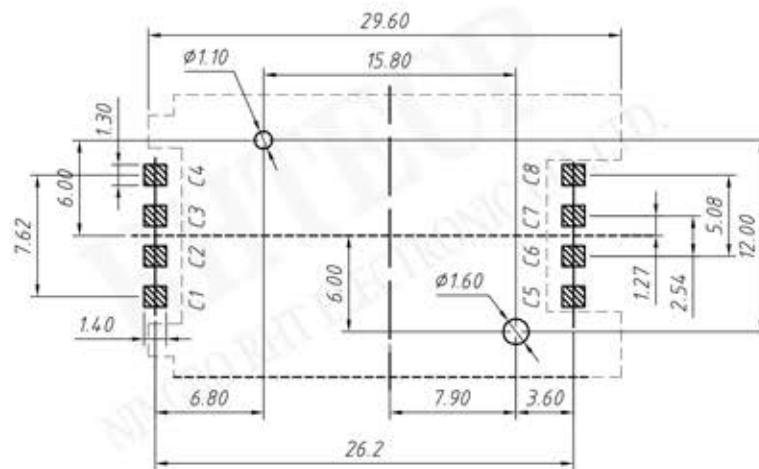
Plating:
 Finsh: Tin Gold or Duplex plated.
 Standard:Gold flash all over Nickel.

Electrical:
 Current Rating:3Amps.
 Insulation Resistance:5000M Ω Min.
 Dielectric Withstanding:DC 500V.
 Withstanding Voltage:AC 1000V
 Contact Resistance:20m Ω Max.
 Durability:100gf Cycles Min.
 Operating Temperature:-40°C TO +105°C

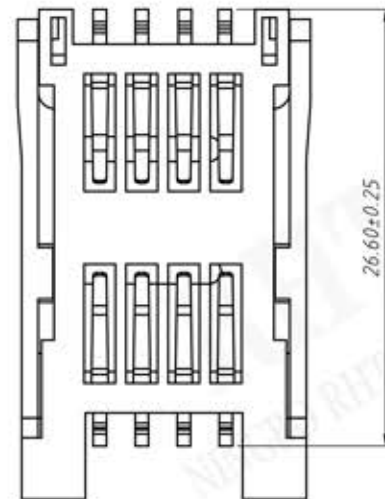
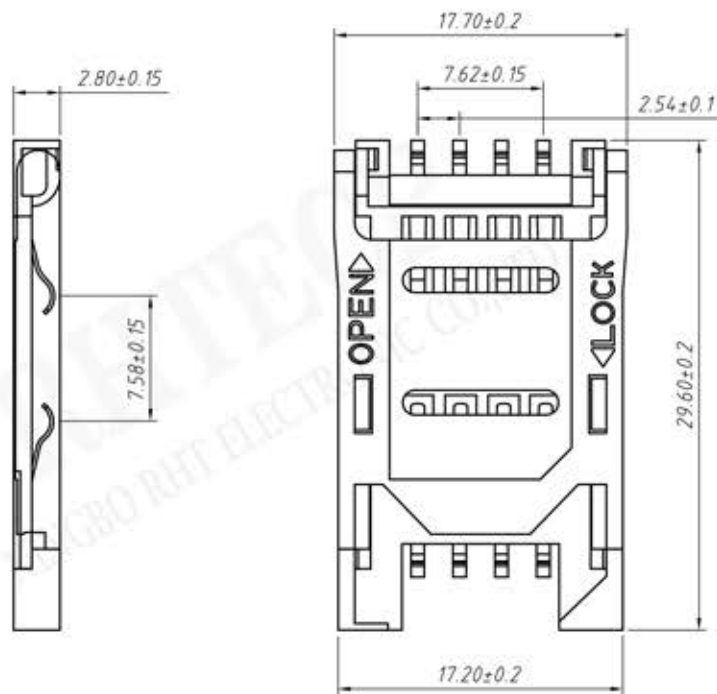
Order Information:

RE - C - SIM-010-8P-0-R

SIM Card
 PINS:6PIN , 8PIN
 0=With Peg,1=Without
 Packing:
 T=Tube Pack ,R=Roll Pack



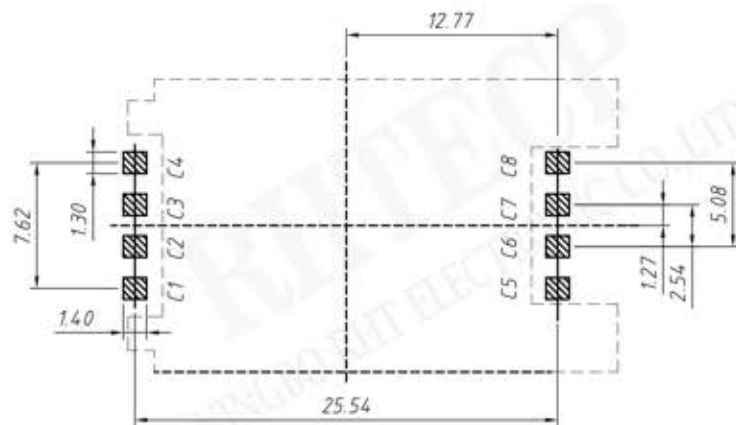
PCB LAYOUT



Material:
 Insulator body:LCP.
 Contact:Copper Alloy.

Plating:
 Finish: Tin Gold or Duplex plated.
 Standard:Gold flash all over Nickel.

Electrical:
 Current Rating:3Amps.
 Insulation Resistance:5000M Ω Min.
 Dielectric Withstanding:DC 500V.
 Withstanding Voltage:AC 1000V
 Contact Resistance:20m Ω Max.
 Durability:100gf Cycles Min.
 Operating Temperature:-40°C TO +105°C



PCB LAYOUT

Order Information:

RE - C - SIM-010-8P-1-R

