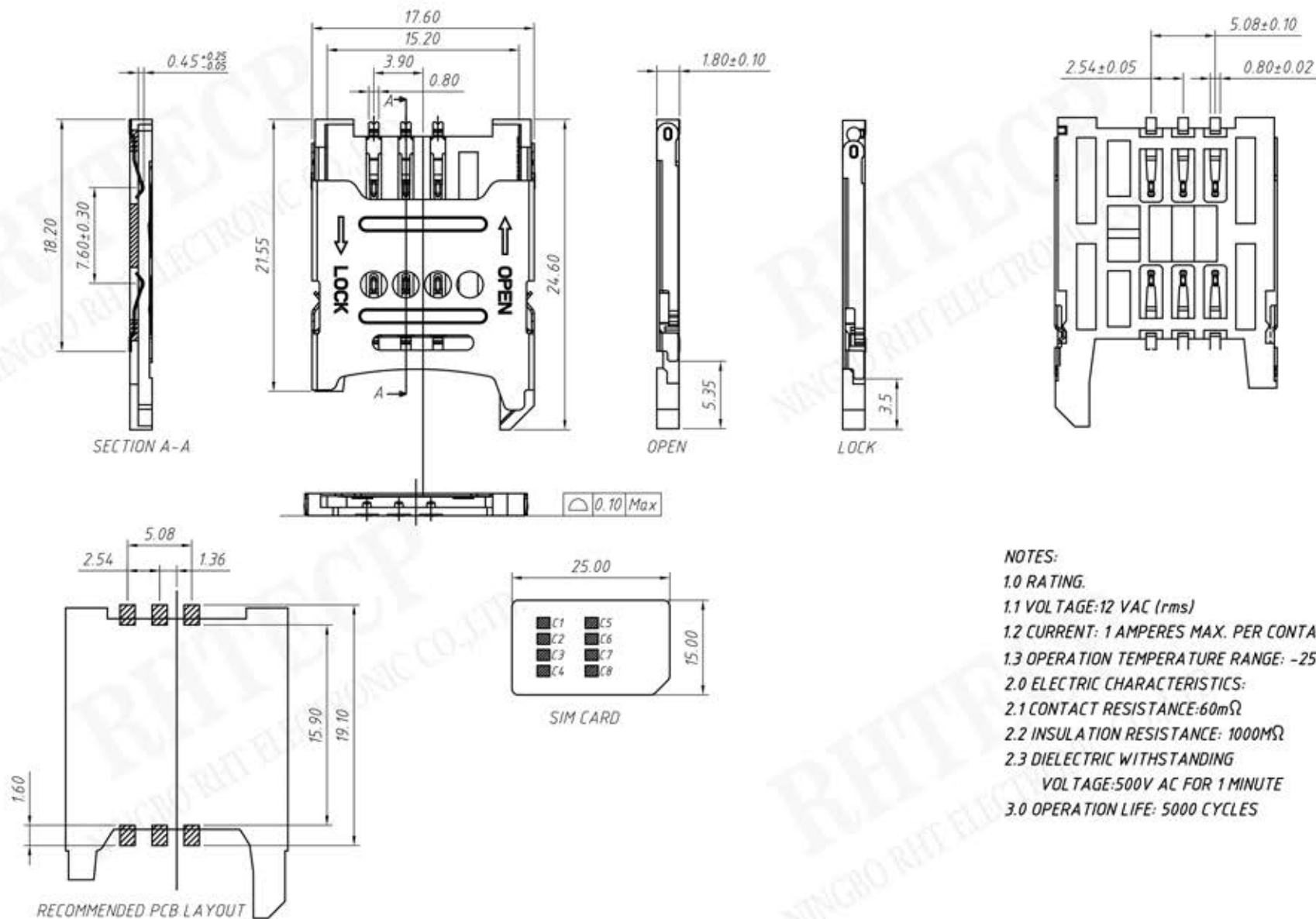


P/N:RE-C-SIM-018A



NOTES:

- 1.0 RATING.
- 1.1 VOLTAGE: 12 VAC (rms)
- 1.2 CURRENT: 1 AMPERES MAX. PER CONTACT
- 1.3 OPERATION TEMPERATURE RANGE: -25°C ~ +70°C
- 2.0 ELECTRIC CHARACTERISTICS:
- 2.1 CONTACT RESISTANCE: 60mΩ
- 2.2 INSULATION RESISTANCE: 1000MΩ
- 2.3 DIELECTRIC WITHSTANDING
VOLTAGE: 500V AC FOR 1 MINUTE
- 3.0 OPERATION LIFE: 5000 CYCLES