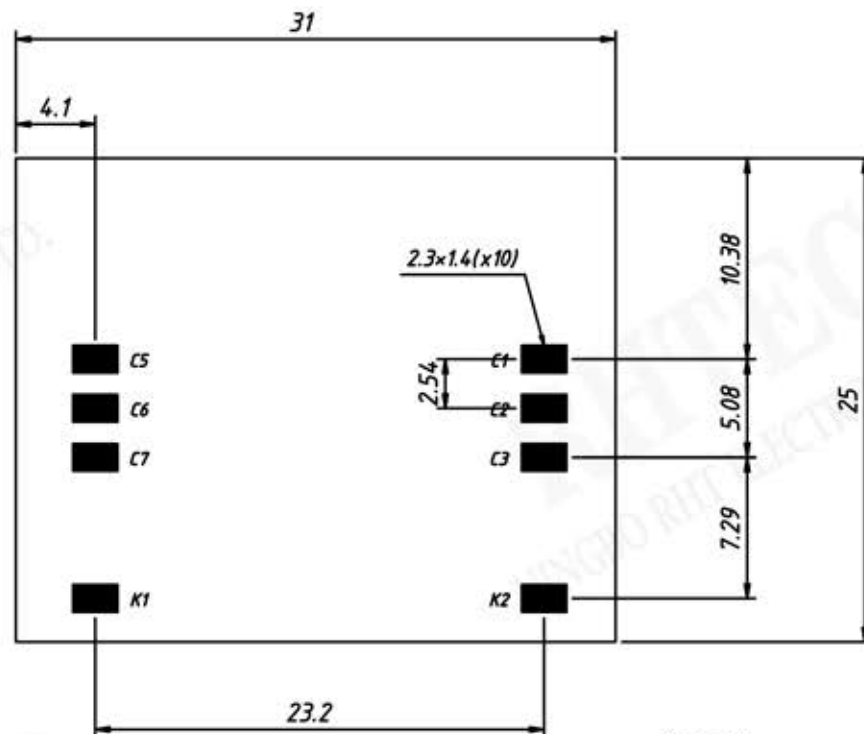


Card insertion direction
 ↓
 Welding feet down



Recommended P.C.B Layout
 (PCB BOARD TOLERANCE±0.05)

Material:

- 1.Bracket:LCP
- 2.Stem:LCP
- 3.Spring:Stainless steel
- 4.Putter:Stainless steel
- 5.Minor axis:Phosphorous copper
- 6.Z-shaped sheet:Stainless steel
- 7.Contact Form:Phosphorous copper,Bottom plating Ni,
 Contact point plating Au15u"

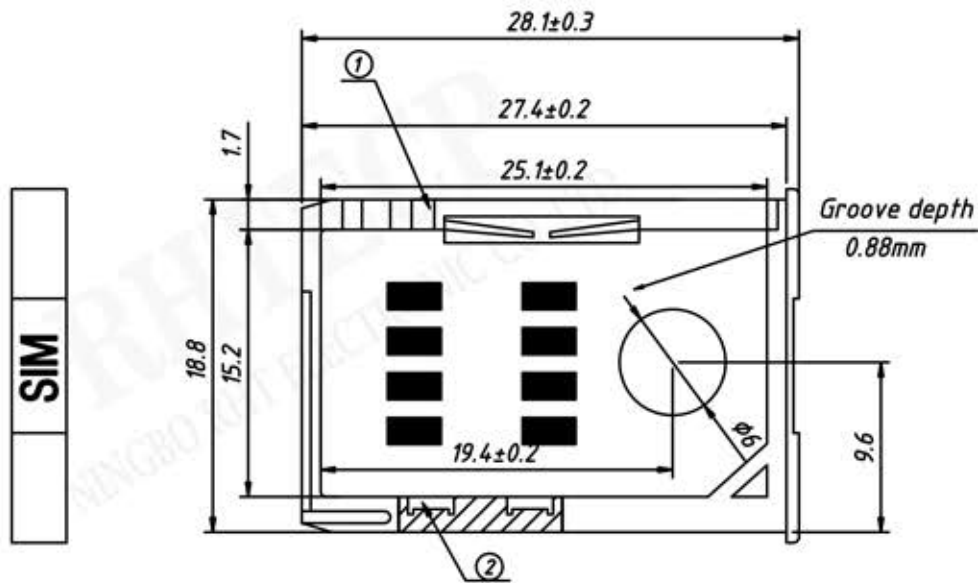
Technical requirements:

- 1. The appearance of the product is free from dirt, scratch and deformation
- 2. The plastic body has no burr and full shooting; the terminal has no oxidation and rust

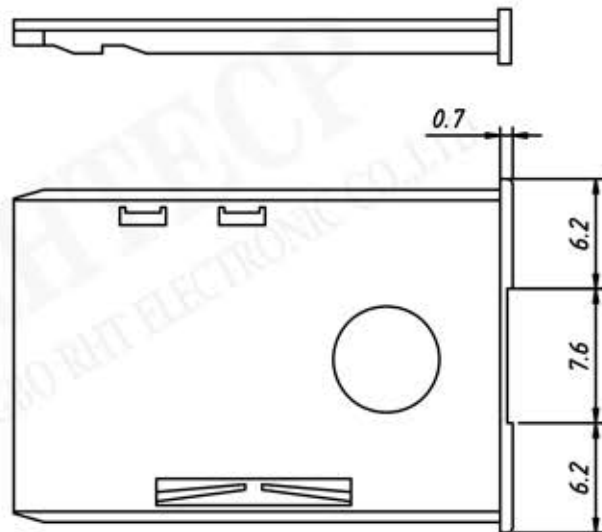
Notes:

The thickness of spring gold plating layer can be changed according to customer's requirements

UNITS:mm		SHEET SIZE:A4		SCALE: ---	
> 0~ 3	> 3~ 18	> 18~ 50	> 50~ 120		
± 0.12	± 0.15	± 0.3	± 0.5		



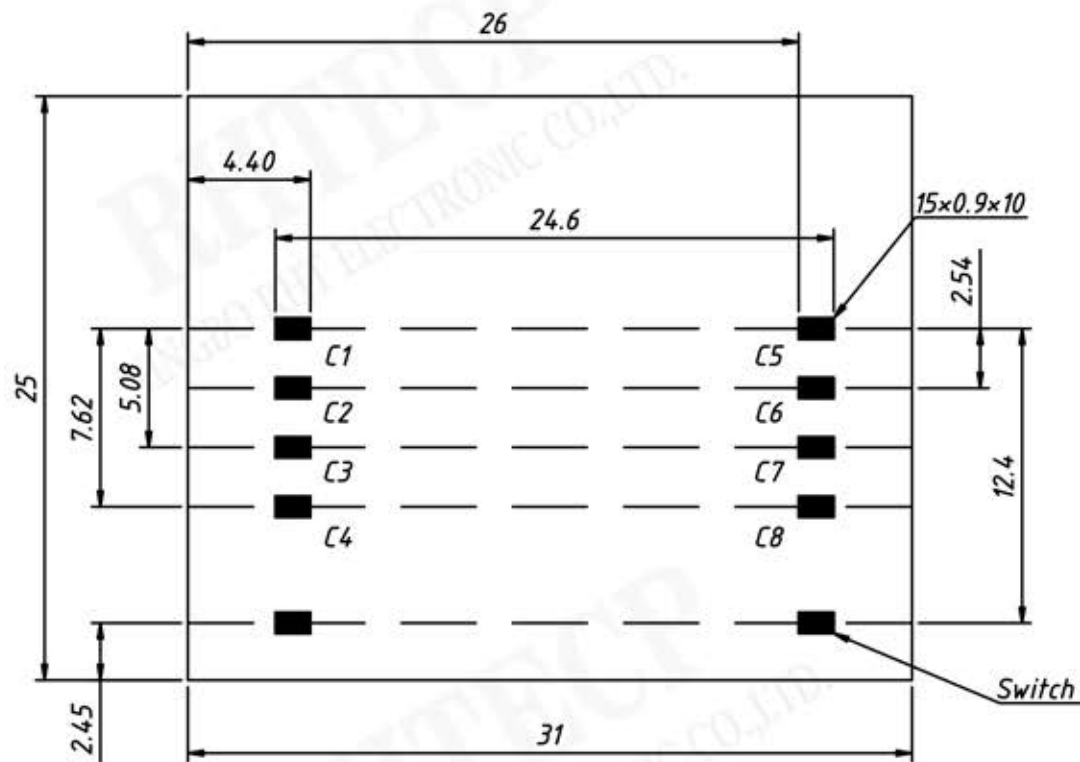
Material:
 1.Drawer:PBT
 2.Contact:Phosphor copper,
 Bottom Ni $\geq 100\mu$ " ,
 surface Au,thickness $\geq 15\mu$ "



Technical requirements:

1. The appearance of the product is free of dirt, scratch and deformation
2. The plastic body is free of burr and fullness; the contact piece is free of oxidation and rust

Note: the thickness of contact plate gold plating layer can be changed according to the customer's requirements



RECOMMENDED PCB LAYOUT

Material:

Housing Material: LCP UL94V-0

Contact Material: Tin-Bronze

Package: Tape and Reel Package

Electrical Characteristics:

Voltage rating: 5V (AC/DC) Max

Current Rating: 10mA (AC/DC) Max

Withstand voltage: 500V AC/1Minute

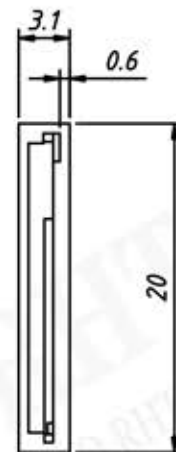
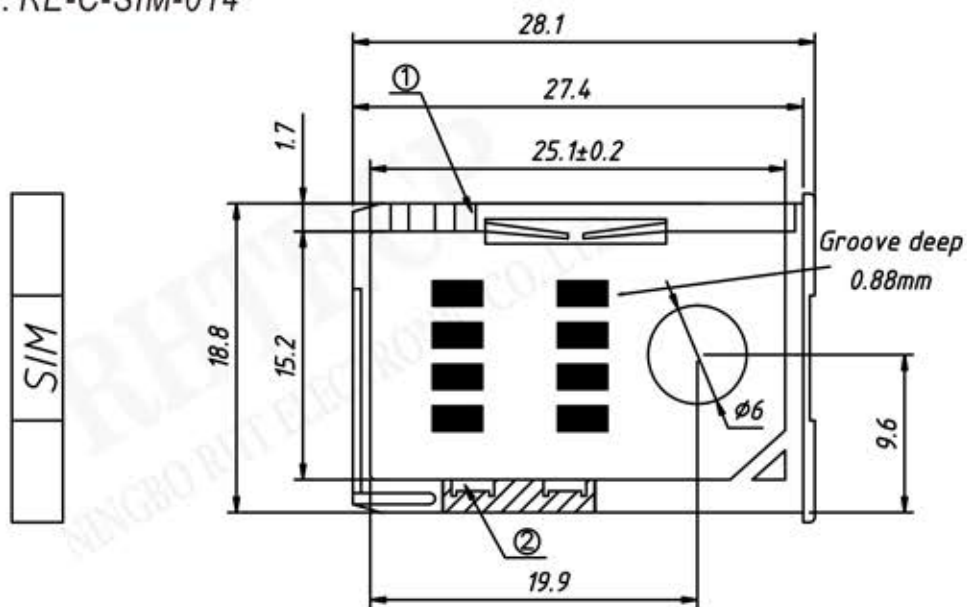
Insulation resistance: $\geq 1000M\Omega$ Min At 500V AC

Contact resistance: $\leq 30M\Omega$

Life: >10000 Cycles

Operating Temperature: $-45^{\circ}C \sim +105^{\circ}C$

P/N: RE-C-SIM-014



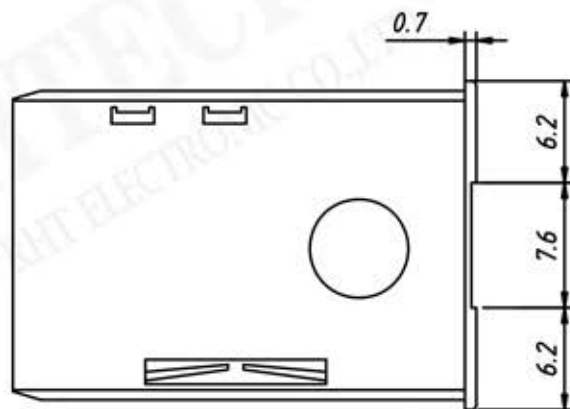
Material:

1.Drawer:PC

2.Contact:Phosphor copper,

Bottom Ni ≥100μ",

surface Au,thickness ≥ 15μ"



Technical requirements:

1. The appearance of the product is free of dirt, scratch and deformation

2. The plastic body is free of burr and fullness; the contact piece is free of oxidation and rust

Note: the thickness of contact plate gold plating layer can be changed according to the customer's requirements