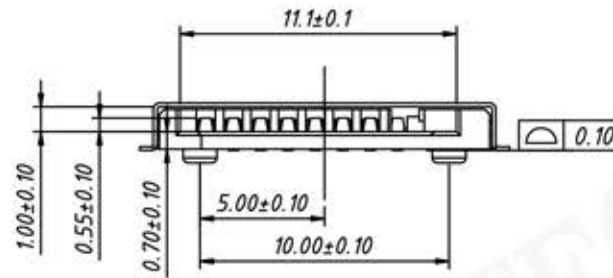
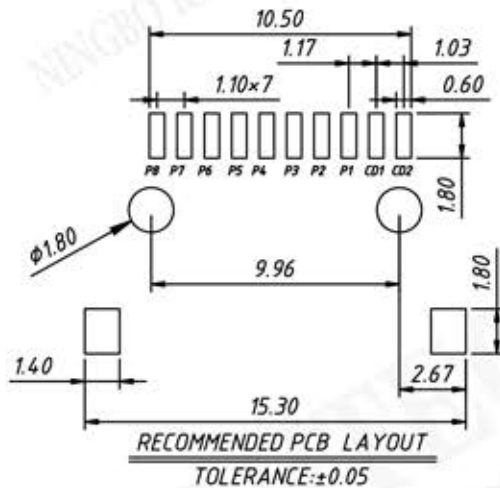
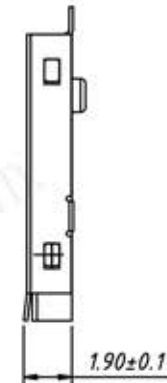
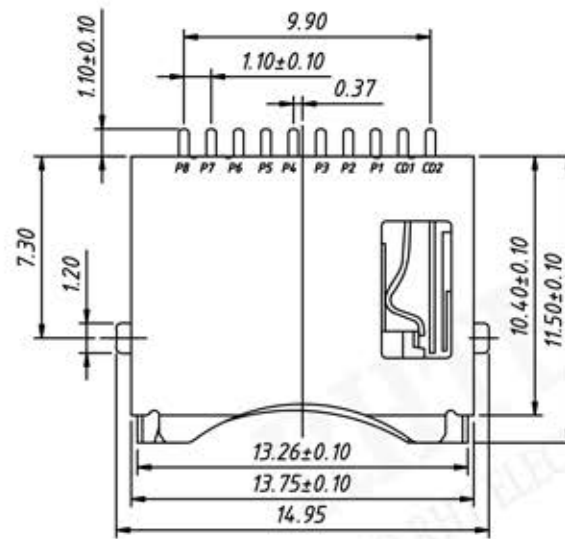
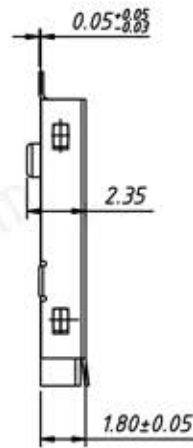
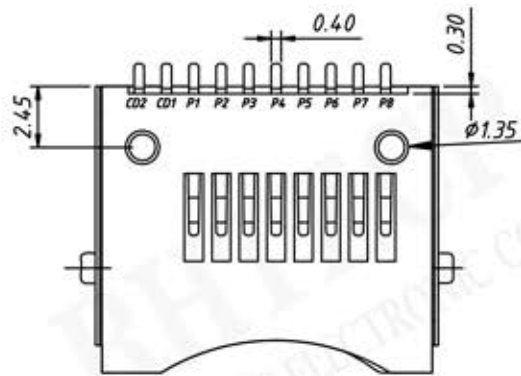


P/N: RE-C-TF-014



Material:
Housing: LCP, UL 94 V-0, Black.
Terminal: Copper Alloy, Selective Gold On Mating Area.
Shell: Iron
Electrical:
Voltage Rating: 5V
Current Rating: 0.5 A Max.
Contact Resistance: 100mΩ Max.
Insulation Resistance: 1000MΩ Min.
Withstanding Voltage: 500V 1 Minute.
Operating Temp: -25°C TO +60°C
Peak temperature: 260°C
Durability: 10000 Cycles.

PIN NO.	PIN ASSIGNMENT
1#	DAT2
2#	CD/DAT3
3#	CMD
4#	VDD
5#	CLK
6#	VSS
7#	DAT0
8#	DAT1