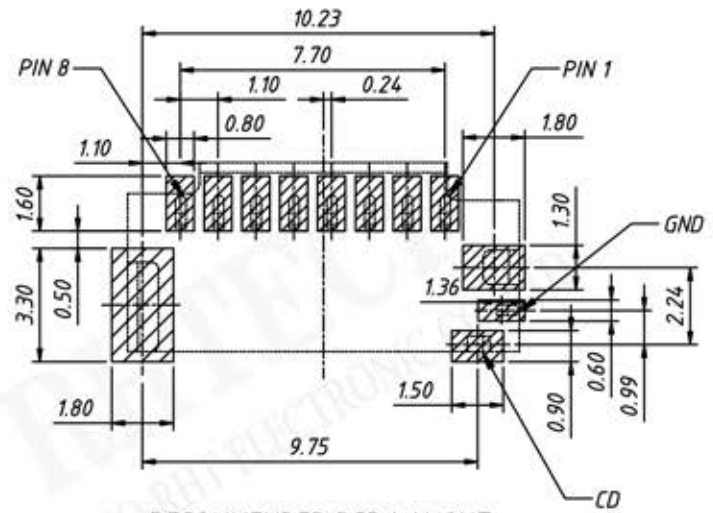
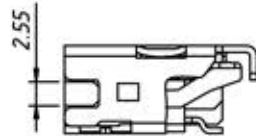
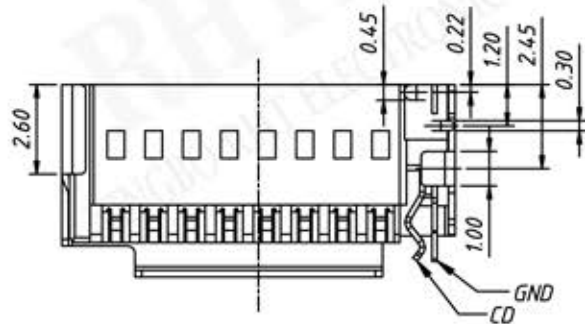
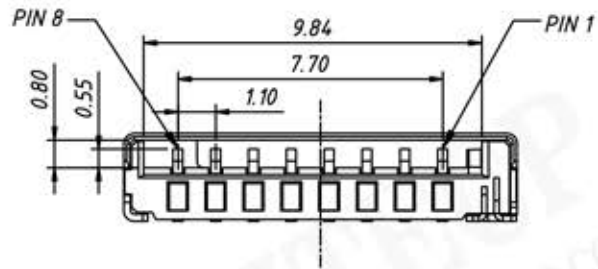
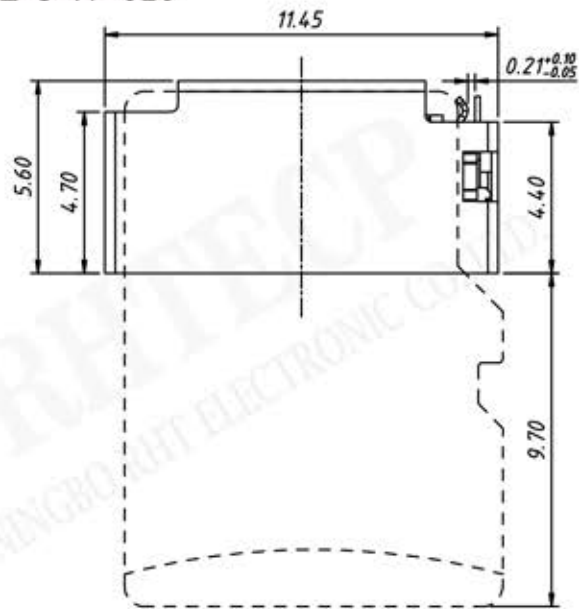


P/N: RE-C-TF-020



RECOMMENDED PCB LAYOUT  
GENERAL TOLERANCE  $\pm 0.05$

Material:

Housing: Hi-Temp plastic, UL94V-0.

Contact: Copper Alloy.

Nail: Stainless Steel.

Finish:

Contact: G/F Gold plated on contact area;

G/F plated on solder tails, Base Nickel 50u" Min

Nail: 50u" Nickel Under, 100u" Tin Overall.