

Material

Screw: M3.0, steel, Zn plated

Cage: Brass, Nickel plated

Pin header: Brass, Tin plated

Housing: PA66, UL94V-0, Green



Electrical

Rated voltage: 300V

Rated current: 20A

Wire range: 24 ~ 10AWG 4mm<sup>2</sup>

Contact Resistance: 20 mΩ

Insulation resistance: 500MΩ/DC500V

Withstand voltage: AC2000V / 1 min

Mechanical

Temp. Range: -40 °C ~ +105 °C

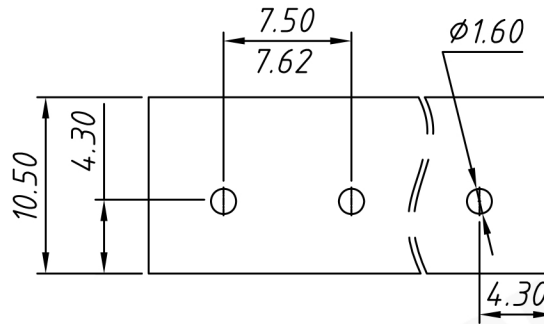
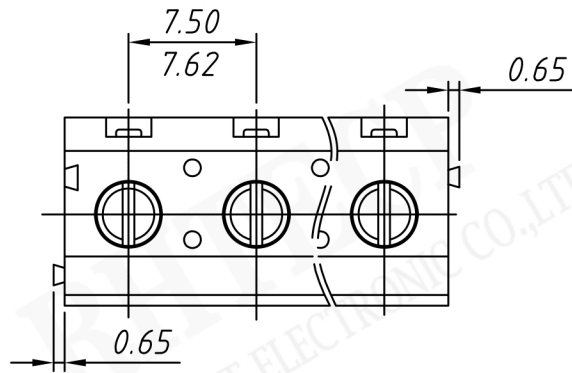
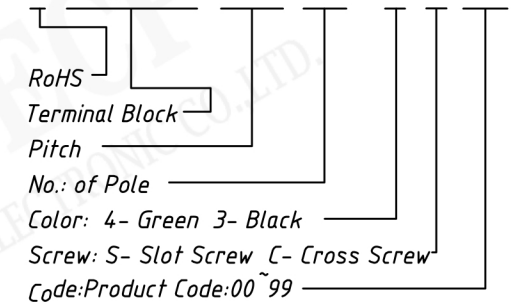
Soldering: 250 °C 5Sec. Max.

Torque: 0.5 Nm (4.43 Lb.) in

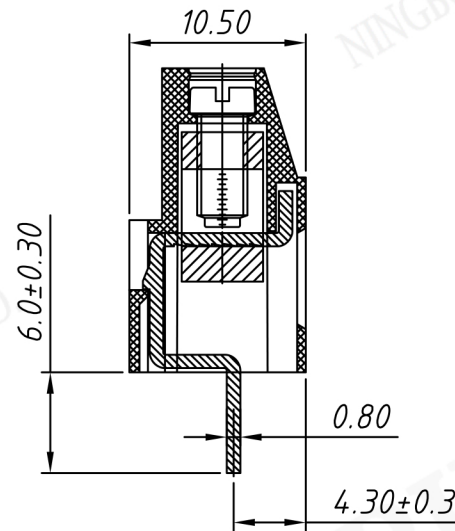
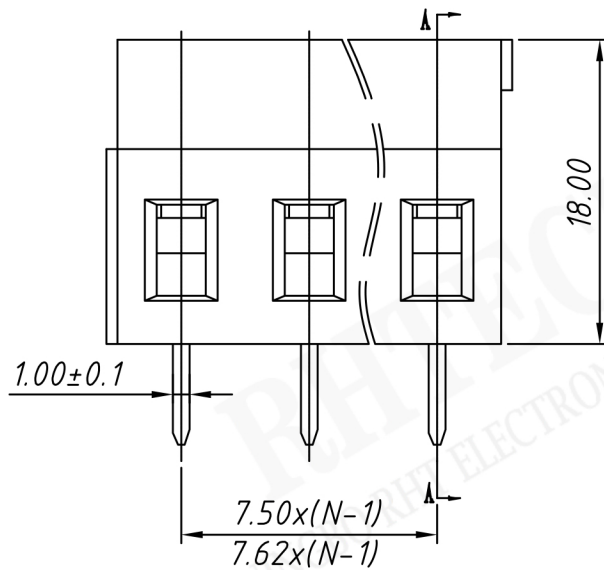
Strip length: 6 ~ 7 mm

Order Information

RE - C - 129 - 7.50 - XXP - 4 S XX



PCB LAYOUT



SECTION A-A

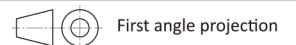


NINGBO RHT ELECTRONIC CO., LTD

UNITS:mm

SHEET SIZE:A4

SCALE: ---



> 0 ~ 3

> 3 ~ 18

> 18 ~ 50

> 50 ~ 120

± 0.12

± 0.15

± 0.3

± 0.5

TERMINAL BLOCK