

**Material**

Screw: M2.5, Steel, Zn plated  
 Shrapnel: Phosphor bronze, Nickel plated  
 Pin header: Brass, Tin plated  
 Housing: PA66 or PBT, UL94V-0

**Electrical**

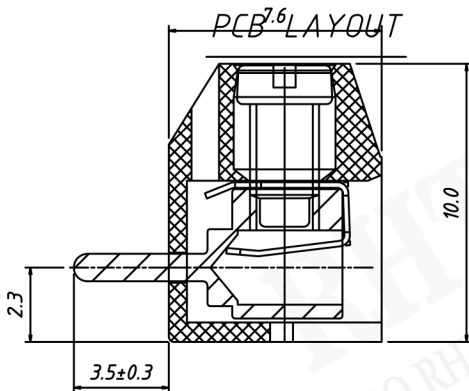
Rated voltage: 250V  
 Rated current: 16A  
 Wire range: 22~14AWG 1.5mm<sup>2</sup>  
 Contact Resistance: 20 mΩ  
 Insulation resistance: 500MΩ/DC500V  
 Withstand voltage: AC2000V / 1min

**Mechanical**

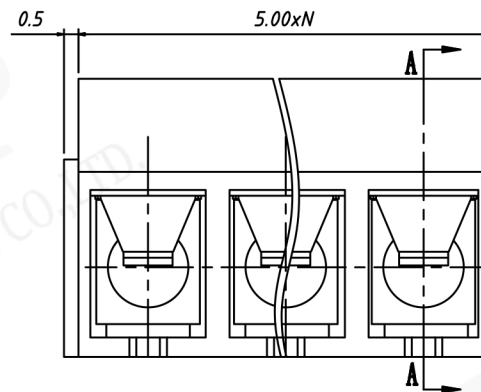
Temp. Range: -40 °C ~ +105 °C  
 Soldering: 250 °C 5Sec. Max.  
 Torque: 0.4 N.m (3.5Lb. in)  
 Strip length: 4.5~5 mm

**Order Information**

RE - C - 301R - 5.00 - XXP - 2 S XX

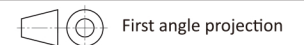


SECTION A-A



NINGBO RHT ELECTRONIC CO.,LTD

UNITS:mm	SHEET SIZE:A4		SCALE: ---
> 0~3	> 3~18	> 18~50	> 50~120
± 0.12	± 0.15	± 0.3	± 0.5



TERMINAL BLOCK