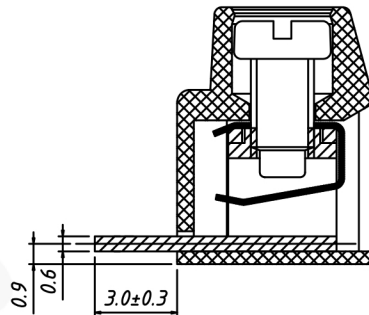


PCB LAYOUT



SECTION A-A



Material

Screw: M2.5, Steel, Zn plated
 Shrapnel: Stainless steel, Nickel plated
 Pin header: Brass or Steel, Tin plated
 Housing: PA66, UL94V-0

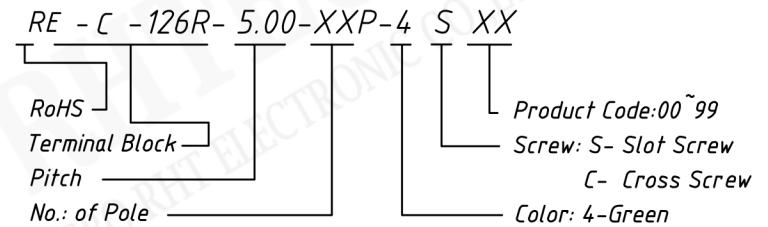
Electrical

Rated voltage: 300V
 Rated current: 8A
 Wire range: 26 ~ 14AWG 2.5mm²
 Contact Resistance: 20 mΩ
 Insulation resistance: 500MΩ/DC500V
 Withstand voltage: AC2000V / 1min

Mechanical

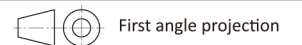
Temp. Range: -40 °C ~ +105 °C
 Soldering: 250°C±5°C for 5S
 Torque: 0.4 N.m (3.54Lb. in)
 Strip length: 6 ~ 7 mm

Order Information



NINGBO RHT ELECTRONIC CO.,LTD

UNITS:mm		SHEET SIZE:A4		SCALE: ---	
> 0 ~ 3	> 3 ~ 18	> 18 ~ 50	> 50 ~ 120		
± 0.12	± 0.15	± 0.3	± 0.5		



TERMINAL BLOCK