

PCB LAYOUT



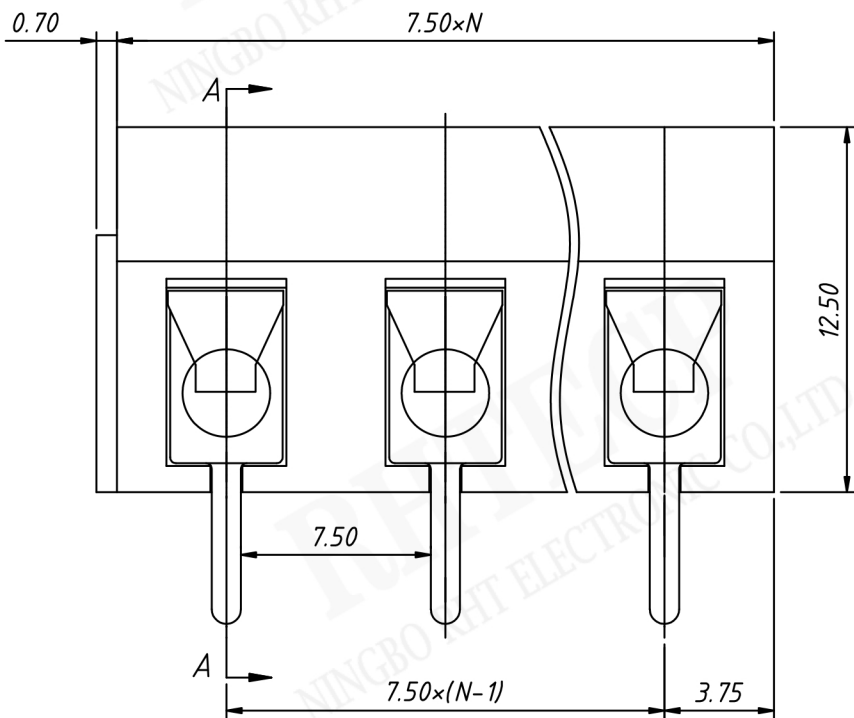
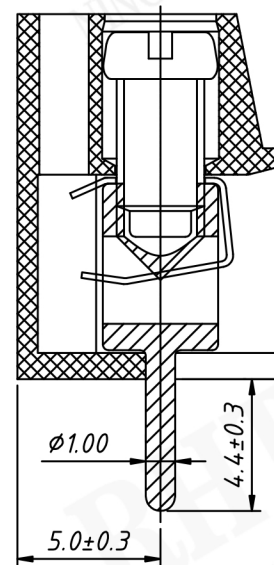
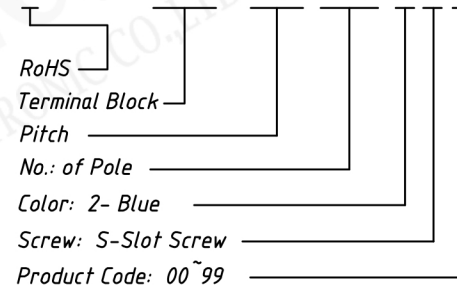
Material: PBT, UL94V-0
 Housing: Brass, Tin plated
 Cage: Phosphor bronze, Ni plated
 Clamp: M3.0, steel Zinc plated
 Screw: Steel Zinc plated

Electrical
 Rated voltage: 250V
 Rated current: 16A
 Contact Resistance: 20 mΩ
 Insulation resistance: 500MΩ/DC500V
 Withstand voltage: AC2000V / 1 min
 Wire Range: 22~14AWG 2.5mm²

Mechanical
 Temp. Range: -40 °C ~ +105 °C
 Strip length: 4.5~5mm
 Torque: 0.5Nm (4.5Lb.in)

Order Information

RE - C - 305V - 7.50 - XXP - 2 S 00

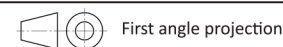


NINGBO RHT ELECTRONIC CO., LTD

UNITS: mm

SHEET SIZE: A4

SCALE: ---



> 0 ~ 3

> 3 ~ 18

> 18 ~ 50

> 50 ~ 120

± 0.12

± 0.15

± 0.3

± 0.5

TERMINAL BLOCK