

**Material**

Housing: PA66, UL94V-0

Shrapnel: Stainless steel

Clamp: Phosphor bronze, Nickel plated

**Electrical**

Rated voltage: 150 V

Rated current: 5 A

Contact Resistance: 20 mΩ

Insulation resistance: 500MΩ/DC500V

Wire Range: 26~20AWG 0.5mm<sup>2</sup>

**Mechanical**

Temp. Range: -40 °C ~ +105 °C

Strip length: 8mm

**Order Information**

RE - C - EDGKD - 2.50 - XXP - 4 00

RoHS

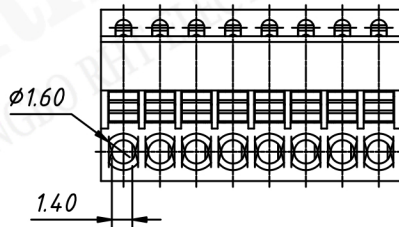
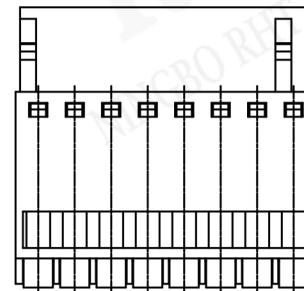
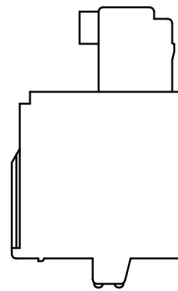
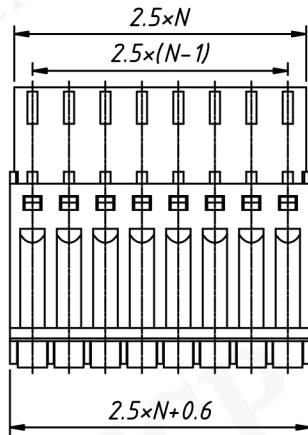
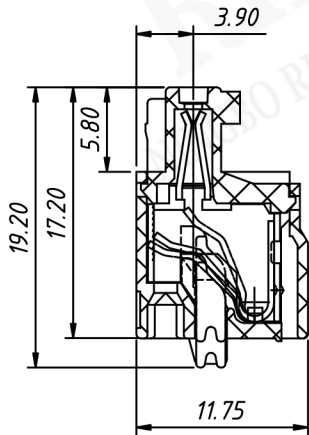
Terminal Block

Pitch


No. of Pole

Color: 4- Green

Product Code: 00~99



NINGBO RHT ELECTRONIC CO., LTD

UNITS: mm		SHEET SIZE: A4		SCALE: ---	 First angle projection
> 0~3	> 3~18	> 18~50	> 50~120		
± 0.12	± 0.15	± 0.3	± 0.5	<b>TERMINAL BLOCK</b>	