

Material
Housing: PA66, UL94V-0
Pin header: Brass, Tin plated

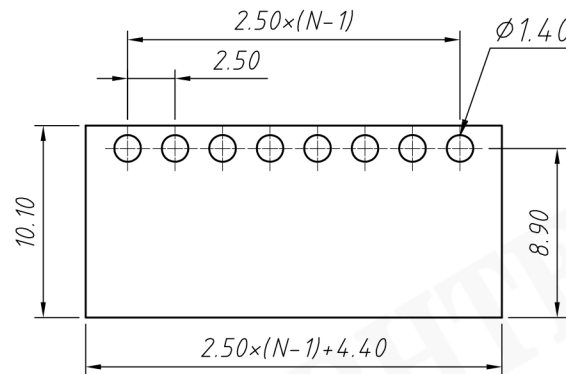
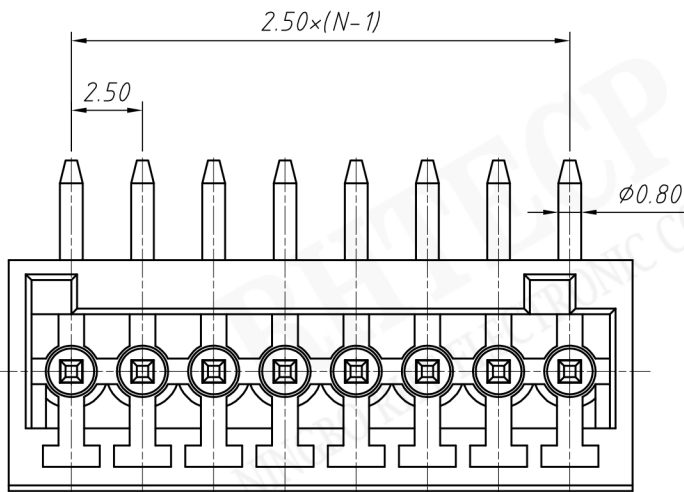
Electrical
Rated voltage: 150V
Rated current: 5A
Contact Resistance: 20 mΩ
Insulation resistance: 500MΩ/DC500V
Withstand voltage: AC1250V / 1min

Mechanical
Temp. Range: -40 °C ~ +105 °C

Order Information

RE - C - EDR - 2.50 - XXP - 4 00

RoHS
Terminal Block
Pitch
No.: of Pole
Color: 4- Green
Product Code: 00 ~ 99

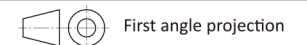


PCB LAYOUT



NINGBO RHT ELECTRONIC CO., LTD

UNITS: mm		SHEET SIZE: A4		SCALE: ---	
> 0 ~ 3	> 3 ~ 18	> 18 ~ 50	> 50 ~ 120	> 50 ~ 120	> 50 ~ 120
± 0.12	± 0.15	± 0.3	± 0.5	± 0.5	± 0.5



TERMINAL BLOCK