

SECTION A-A

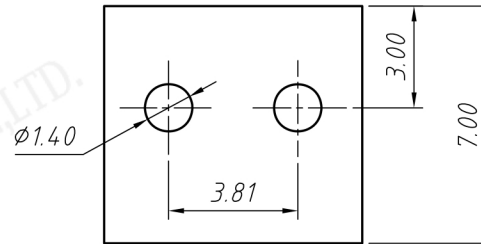
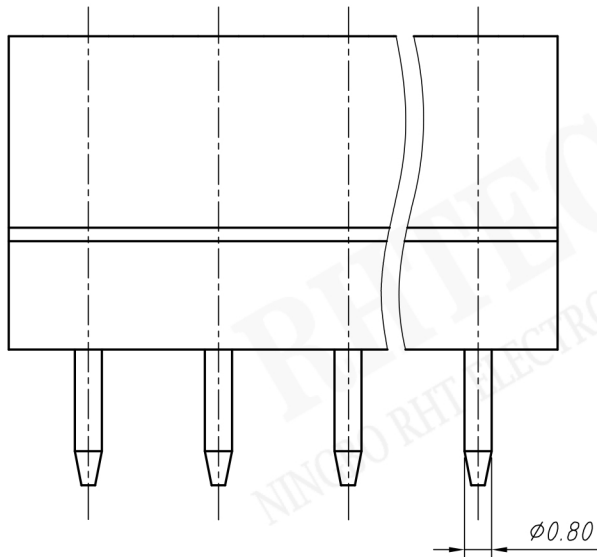
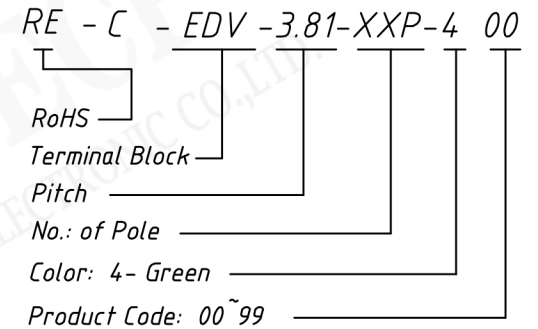


Material
Housing: PA66, UL94V-0
Pin header: Brass, Tin plated

Electrical
Rated voltage: 300V
Rated current: 8A
Contact Resistance: 20 mΩ
Insulation resistance: 500MΩ/DC500V
Withstand voltage: AC2000V / 1min

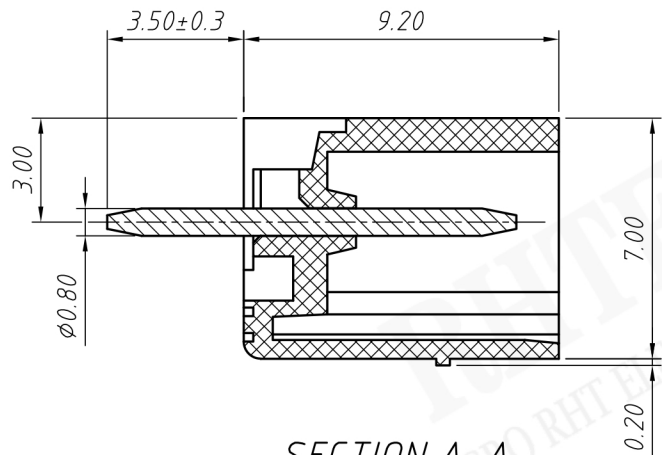
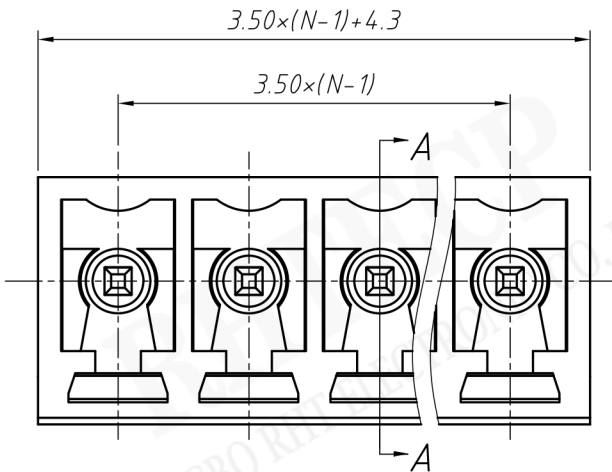
Mechanical
Temp. Range: -40 °C ~ +105 °C

Order Information



PCB LAYOUT

UNITS: mm	SHEET SIZE: A4		SCALE: ---
> 0~3	> 3~18	> 18~50	> 50~120
± 0.12	± 0.15	± 0.3	± 0.5



SECTION A-A



Material

Housing:

PA66, UL94V-0

Pin header:

Brass, Tin plated

Electrical

Rated voltage: 300V

Rated current: 8A

Contact Resistance: 20 mΩ

Insulation resistance: 500MΩ/DC500V

Withstand voltage: AC2000V / 1 min

Mechanical

Temp. Range: -40 °C ~ +105 °C

Order Information

RE - C - EDV - 3.50 - XXP - 4 00

RoHS

Terminal Block

Pitch

No.: of Pole

Color: 4- Green

Product Code: 00 99

