

Material
 Housing: PA66, UL 94V-0
 Pin header: Brass, Tin plated

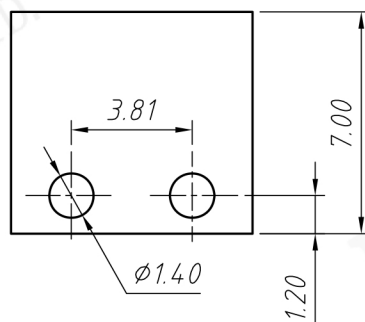
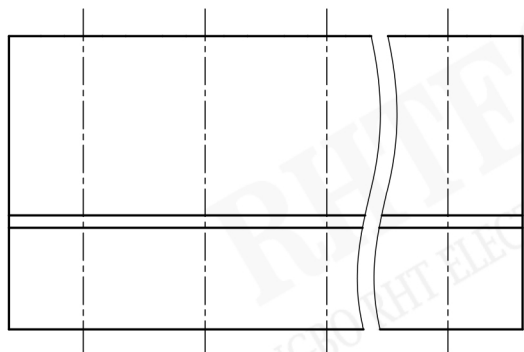
Electrical
 Rated voltage: 300V
 Rated current: 8A
 Contact Resistance: 20 mΩ
 Insulation resistance: 500MΩ/DC500V
 Withstand voltage: AC2000V / 1min

Mechanical
 Temp. Range: -40 °C ~ +105 °C

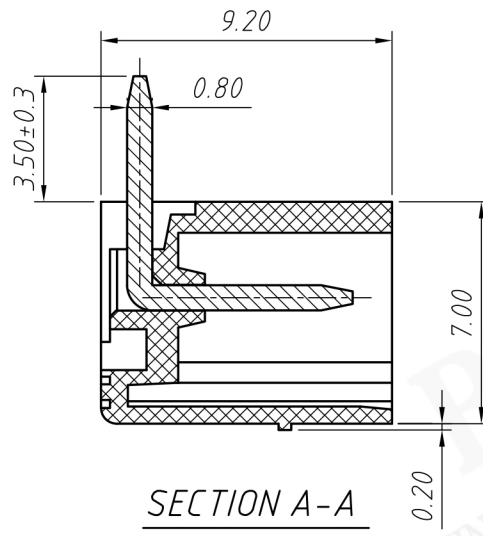
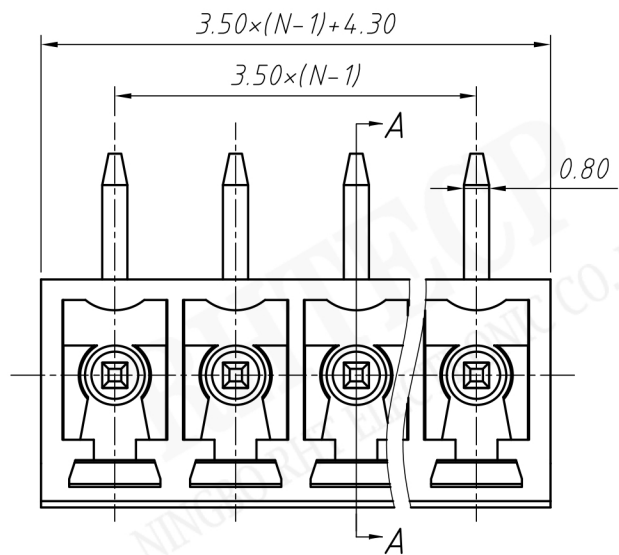
Order Information

RE - C - EDR - 3.81 - XXP - 4 00

RoHS ————
 Terminal Block ————
 Pitch ————
 No.: of Pole ————
 Color: 4- Green ————
 Product Code: 00 ~ 99 ————



UNITS: mm	SHEET SIZE: A4		SCALE: ---
> 0 ~ 3	> 3 ~ 18	> 18 ~ 50	> 50 ~ 120
± 0.12	± 0.15	± 0.3	± 0.5



Material
Housing: PA66, UL94V-0
Pin header: Brass, Tin plated

Electrical
Rated voltage: 300V
Rated current: 8A
Contact Resistance: 20 mΩ
Insulation resistance: 500MΩ/DC500V
Withstand voltage: AC2000V / 1 min

Mechanical
Temp. Range: $-40^{\circ}\text{C} \sim +105^{\circ}\text{C}$

Order Information

RE - C - EDR - 3.50 - XXP - 4 00

