

SECTION A-A



Material
Housing: PA66, UL94V-0
Pin header: Brass, Tin plated

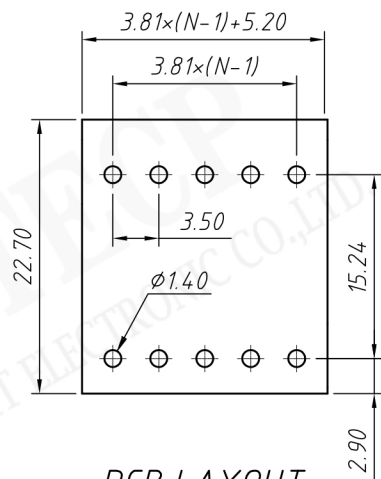
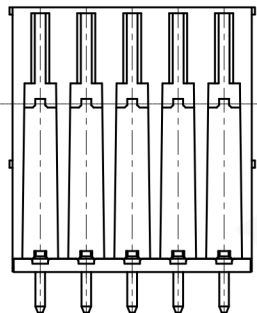
Electrical
Rated voltage: 300V
Rated current: 8A
Contact Resistance: 20 mΩ
Insulation resistance: 500MΩ/DC500V
Withstand voltage: AC2000V / 1 min

Mechanical
Temp. Range: -40 °C ~ +105 °C

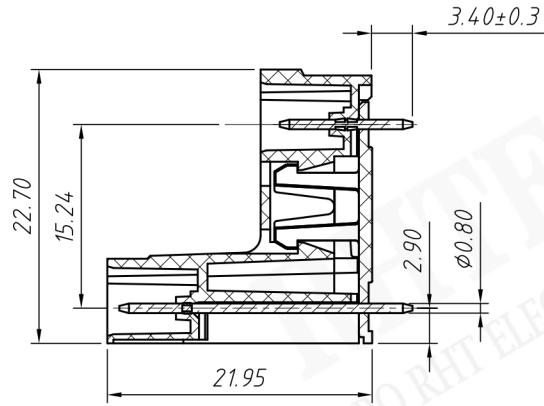
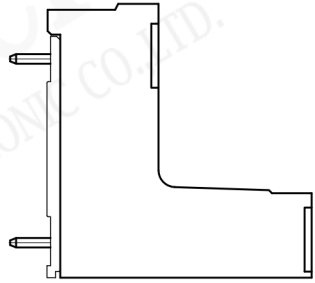
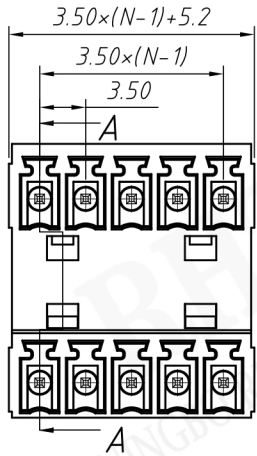
Order Information

RE - C - EDBV - 3.81 - XXP - 4 00

RoHS —
Terminal Block —
Pitch —
No.: of Pole —
Color: 4- Green —
Product Code: 00~99 —



PCB LAYOUT



SECTION A-A



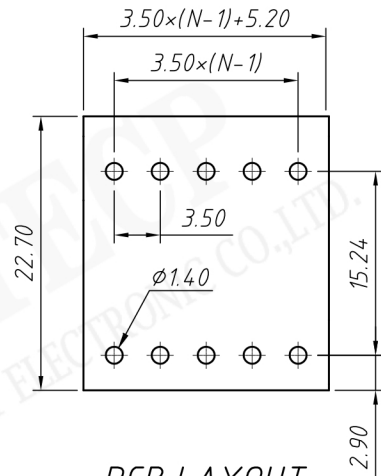
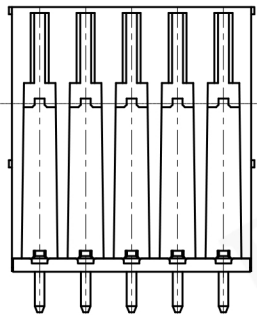
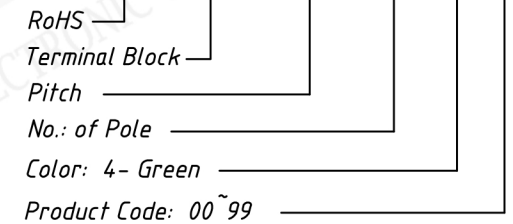
Material
Housing: PA66, UL94V-0
Pin header: Brass, Tin plated

Electrical
Rated voltage: 300V
Rated current: 8A
Contact Resistance: 20 mΩ
Insulation resistance: 500MΩ/DC500V
Withstand voltage: AC2000V / 1 min

Mechanical
Temp. Range: -40 °C ~ +105 °C

Order Information

RE - C - EDBV -3.50-XXP-4 00



PCB LAYOUT