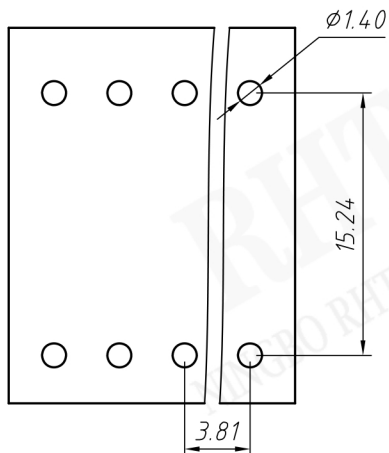
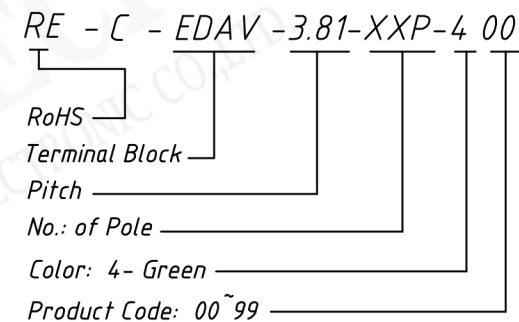


Material  
Housing: PA66, UL94V-0  
Pin header: Brass, Tin plated

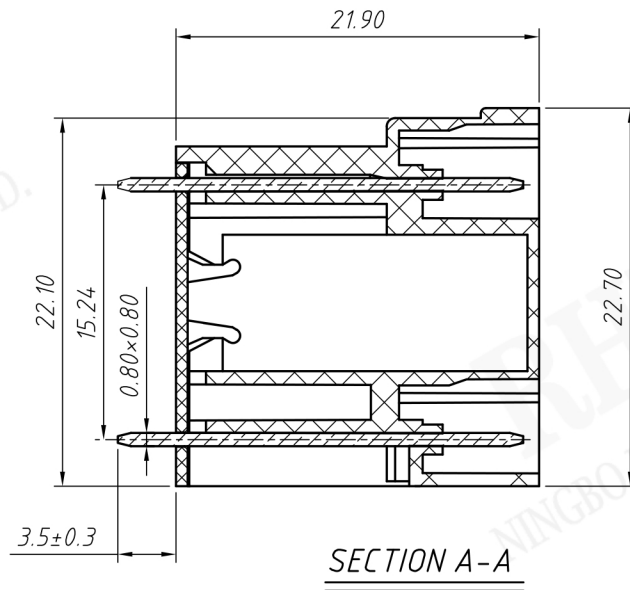
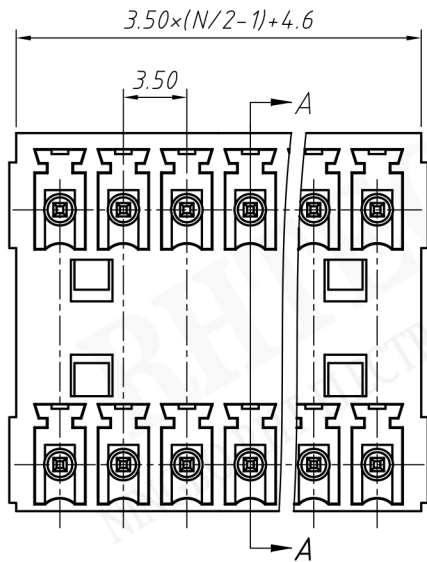
Electrical  
Rated voltage: 300V  
Rated current: 8A  
Contact Resistance: 20 mΩ  
Insulation resistance: 500MΩ/DC500V  
Withstand voltage: AC2000V / 1 min

Mechanical  
Temp. Range: -40 °C ~ +105 °C

Order Information



UNITS: mm	SHEET SIZE: A4		SCALE: ---	First angle projection
> 0 ~ 3	> 3 ~ 18	> 18 ~ 50	> 50 ~ 120	
± 0.12	± 0.15	± 0.3	± 0.5	<b>TERMINAL BLOCK</b>



**Material**  
**Housing:** PA66, UL94V-0  
**Pin header:** Brass, Tin plated

**Electrical**  
**Rated voltage:** 300V  
**Rated current:** 8A  
**Contact Resistance:** 20 mΩ  
**Insulation resistance:** 500MΩ/DC500V  
**Withstand voltage:** AC2000V / 1 min

**Mechanical**  
**Temp. Range:** -40 °C ~ +105 °C

**Order Information**

RE - C - EDAV - 3.50 - XXP - 4 00

