

SECTION A-A



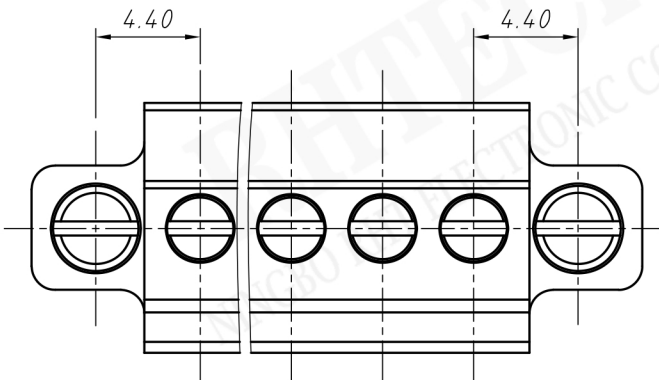
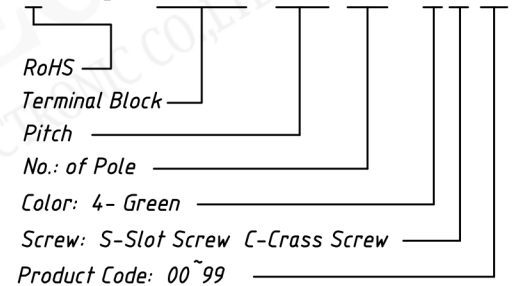
Material  
 Housing: PA66, UL 94 V-0  
 Clamp: Phosphor bronze, Ni Plated  
 Screws: M2 Steel, Zinc plated  
 Wire guard: Brass, Ni plated

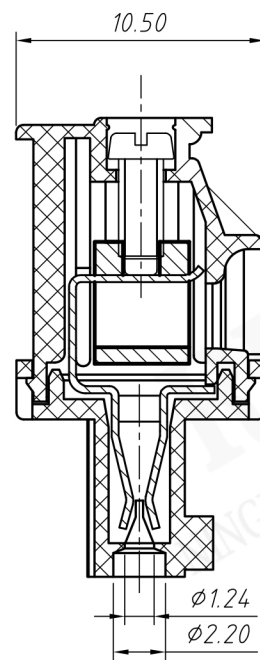
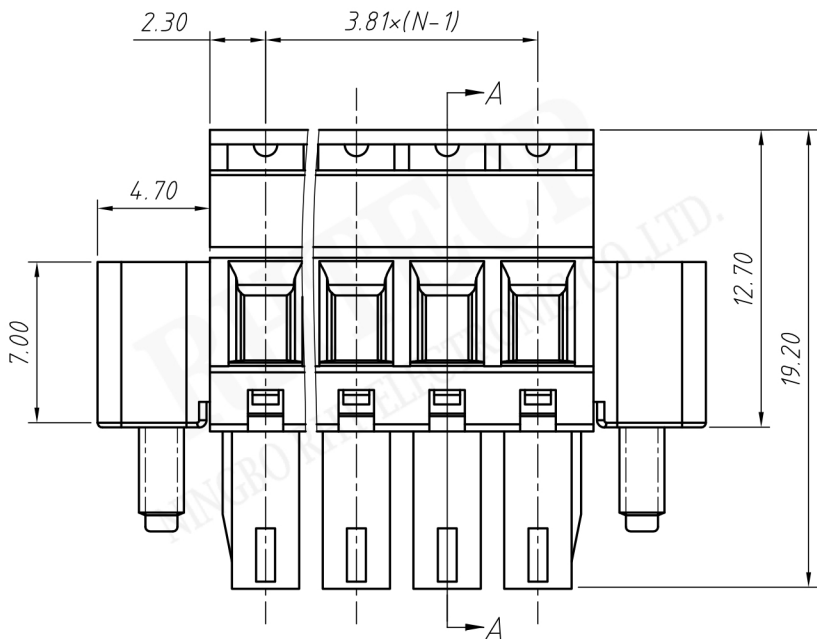
Electrical  
 Rated voltage: 300V  
 Rated current: 8A  
 Contact Resistance: 20 mΩ  
 Insulation resistance: 500MΩ/DC500V  
 Withstand voltage: AC2000V / 1 min  
 Wire Range: 28~16AWG 1.5mm<sup>2</sup>

Mechanical  
 Temp. Range: -40 °C ~ +105 °C  
 Strip length: 6~7mm  
 Torque: 0.2Nm(1.7 bin)

Order Information

RE - C - EDCDM -3.50-XXP-4 S 00





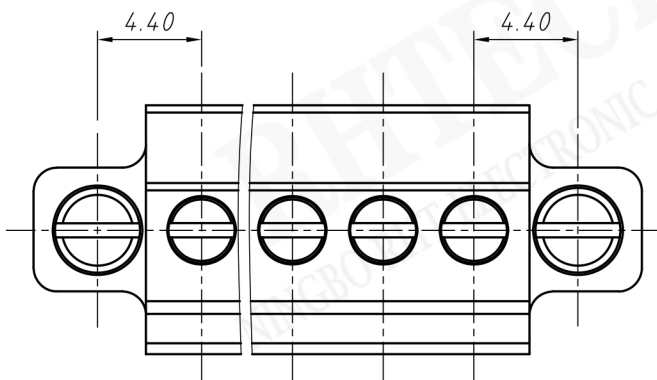
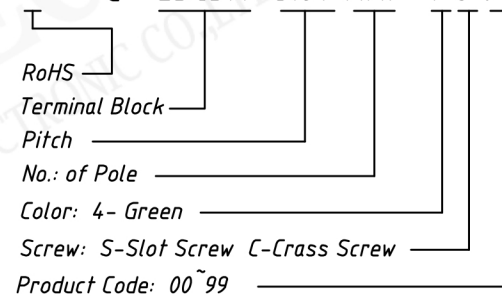
SECTION A-A



- Material
- Housing: PA66, UL94V-0
- Clamp: Phosphor bronze, Ni Plated
- Screws: M2 Steel, Zinc plated
- Wire guard: Brass, Ni plated
- Electrical
- Rated voltage: 300V
- Rated current: 8A
- Contact Resistance: 20 mΩ
- Insulation resistance: 500MΩ/DC500V
- Withstand voltage: AC2000V / 1 min
- Wire Range: 28~16AWG 1.5mm<sup>2</sup>
- Mechanical
- Temp. Range: -40 °C ~ +105 °C
- Strip length: 6~7mm
- Torque: 0.2Nm(1.7 bin)

Order Information

RE - C - EDCDM - 3.81 - XXP - 4 S 00



UNITS:mm	SHEET SIZE:A4		SCALE: ---	First angle projection <b>TERMINAL BLOCK</b>
> 0~3	> 3~18	> 18~50	> 50~120	
± 0.12	± 0.15	± 0.3	± 0.5	