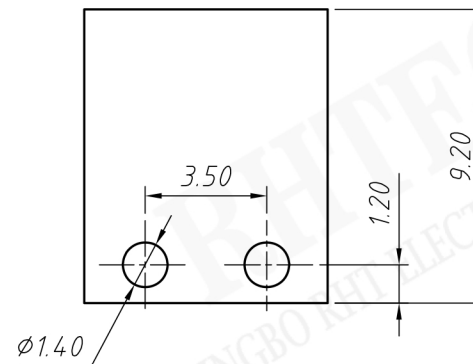
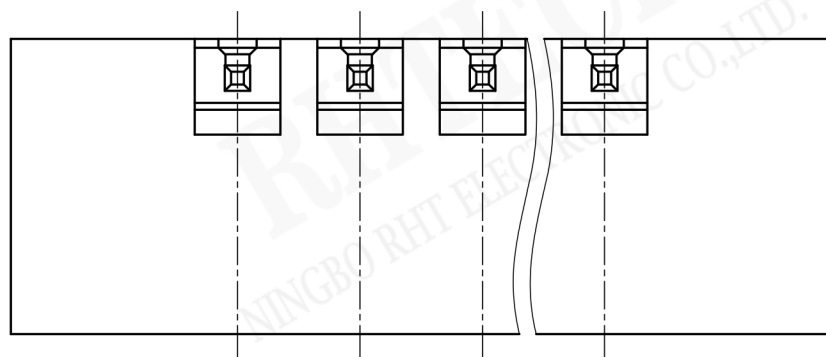


Material: M2.5, Brass
 Nut: PA66, UL94V-0
 Housing: Brass, Tin plated
 Pin header: M2.5, Brass
 Electrical
 Rated voltage: 300V
 Rated current: 8A
 Contact Resistance: 20 mΩ
 Insulation resistance: 500MΩ/DC500V
 Withstand voltage: AC2000V / 1min
 Mechanical
 Temp. Range: -40 °C ~ +105 °C



Order Information

RE - C - EDLR - 3.50 - XXP - 4 S 00
 RoHS
 Terminal Block
 Pitch
 No.: of Pole
 Color: 4 - Green
 Screw: S - Slot Screw C - Crass Screw
 Product Code: 00 ~ 99



NINGBO RHT ELECTRONIC CO.,LTD

UNITS:mm

SHEET SIZE:A4

SCALE: ---

> 0 ~ 3

> 3 ~ 18

> 18 ~ 50

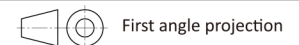
> 50 ~ 120

± 0.12

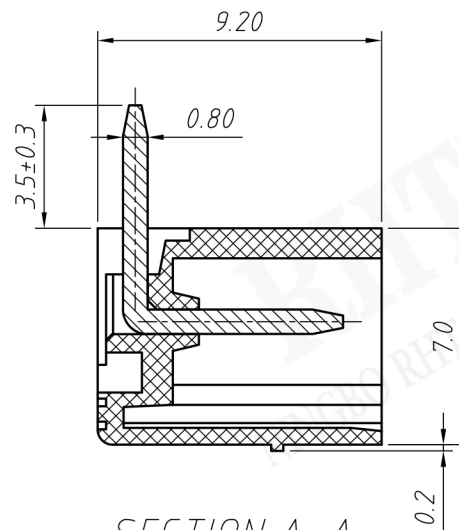
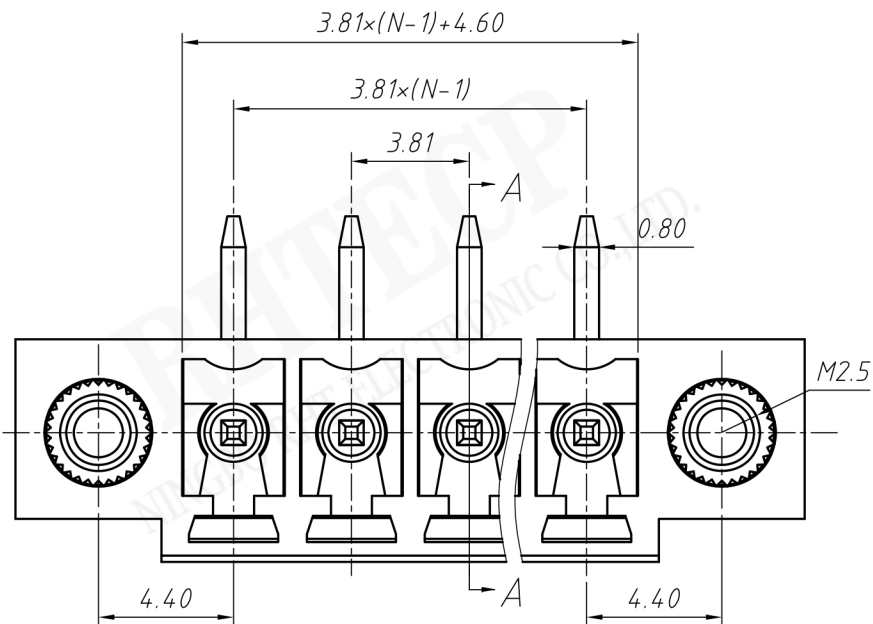
± 0.15

± 0.3

± 0.5



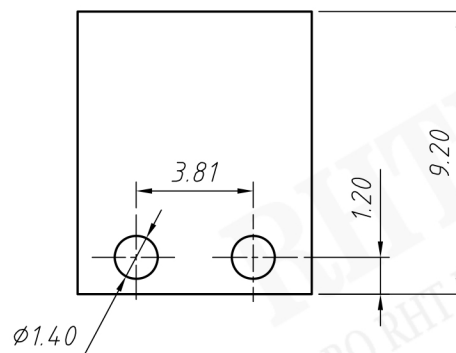
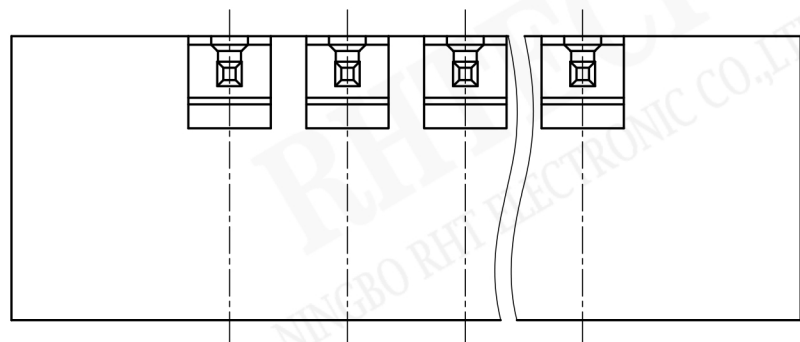
TERMINAL BLOCK



Material: M2.5, Brass
 Nut: PA66, UL94V-0
 Housing: Brass, Tin plated
 Pin header: Brass, Tin plated

Electrical
 Rated voltage: 300V
 Rated current: 8A
 Contact Resistance: 20 mΩ
 Insulation resistance: 500MΩ/DC500V
 Withstand voltage: AC2000V / 1 min

Mechanical
 Temp. Range: -40 °C ~ +105 °C



Order Information

RE - C - EDLR - 3.81 - XXP - 4 S 00

RoHS
 Terminal Block
 Pitch
 No.: of Pole
 Color: 4 - Green
 Screw: S - Slot Screw C - Crass Screw
 Product Code: 00 ~ 99



NINGBO RHT ELECTRONIC CO.,LTD

UNITS:mm

SHEET SIZE:A4

SCALE: ---



> 0 ~ 3

> 3 ~ 18

> 18 ~ 50

> 50 ~ 120

± 0.12

± 0.15

± 0.3

± 0.5

TERMINAL BLOCK