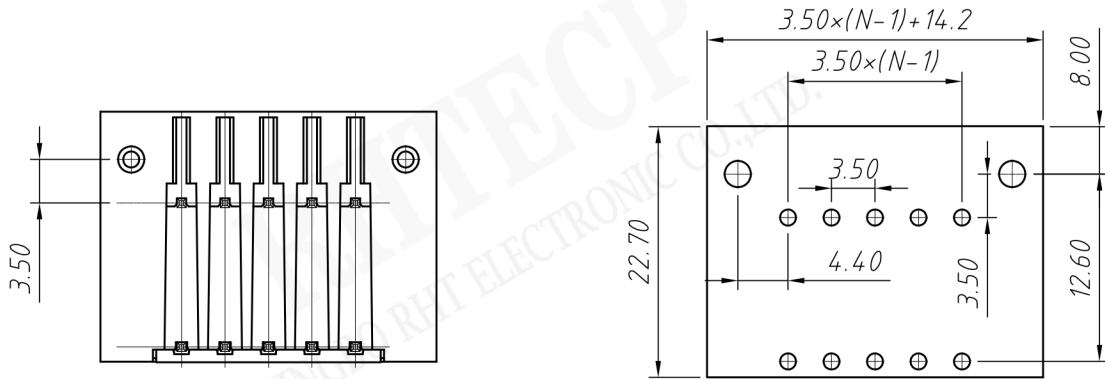


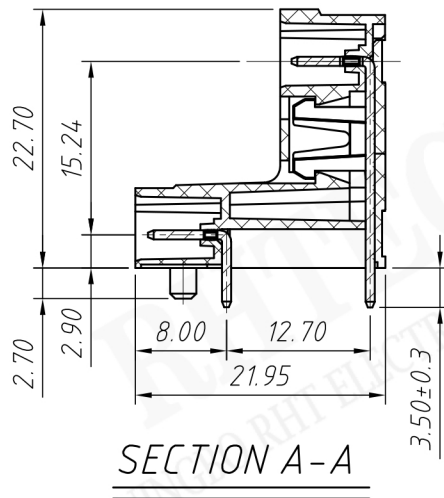
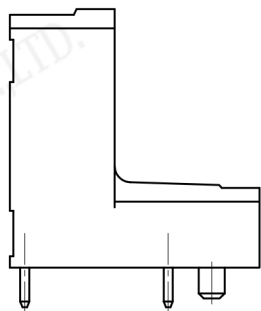
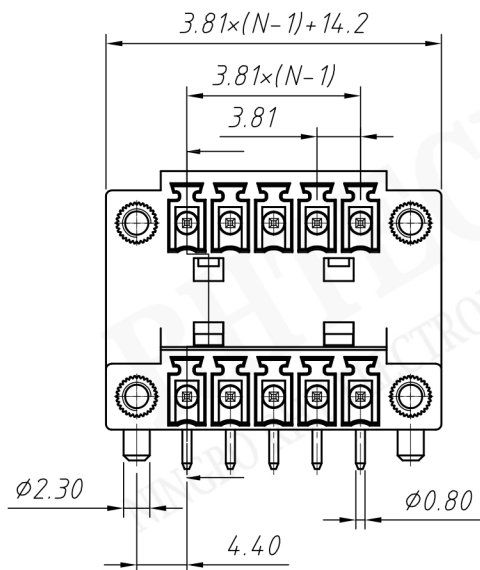
**Material**  
**Housing:** PA66, UL94V-0  
**Pin header:** Brass, Tin plated  
**Nut:** M2.5, Brass  
**Electrical**  
**Rated voltage:** 300V  
**Rated current:** 8A  
**Contact Resistance:** 20 mΩ  
**Insulation resistance:** 500MΩ/DC500V  
**Withstand voltage:** AC2000V / 1 min  
**Mechanical**  
**Temp. Range:** -40 °C ~ +105 °C



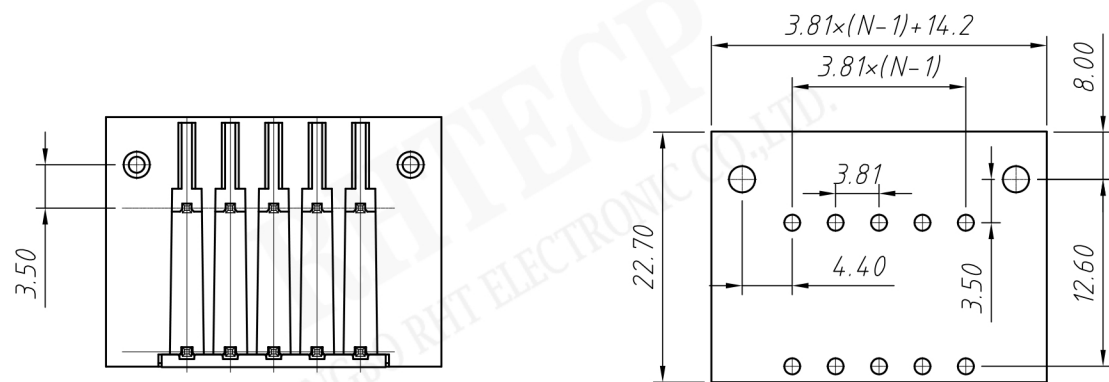
**PCB LAYOUT**

**Order Information**

**RE - C - EDBRM - 3.50 - XXP - 4 S 00**  
 RoHS \_\_\_\_\_  
 Terminal Block \_\_\_\_\_  
 Pitch \_\_\_\_\_  
 No.: of Pole \_\_\_\_\_  
 Color: 4- Green \_\_\_\_\_  
 Screw: S-Slot Screw C-Crass Screw \_\_\_\_\_  
 Product Code: 00~99 \_\_\_\_\_

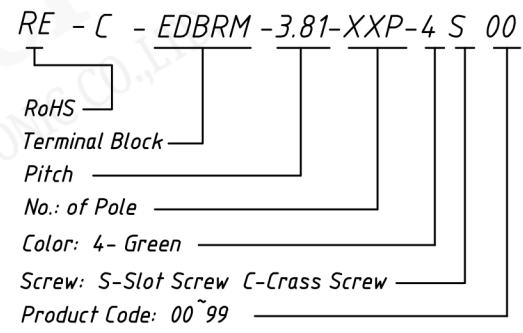


- Material**
- Housing:** PA66, UL94V-0
- Pin header:** Brass, Tin plated
- Nut:** M2.5, Brass
- Electrical**
- Rated voltage:** 300V
- Rated current:** 8A
- Contact Resistance:** 20 mΩ
- Insulation resistance:** 500MΩ/DC500V
- Withstand voltage:** AC2000V / 1 min
- Mechanical**
- Temp. Range:** -40 °C ~ +105 °C



PCB LAYOUT

*Order Information*



UNITS:mm	SHEET SIZE:A4		SCALE: ---
> 0~3	> 3~18	> 18~50	> 50~120
± 0.12	± 0.15	± 0.3	± 0.5