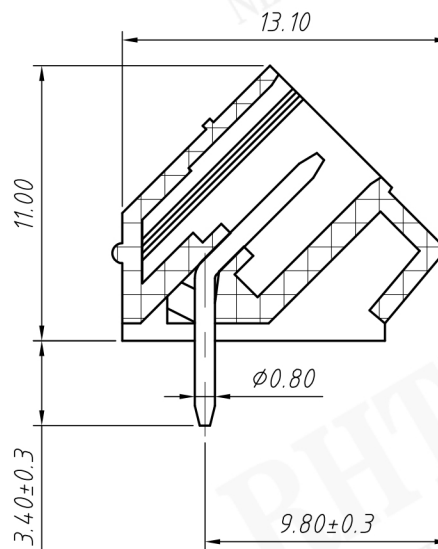
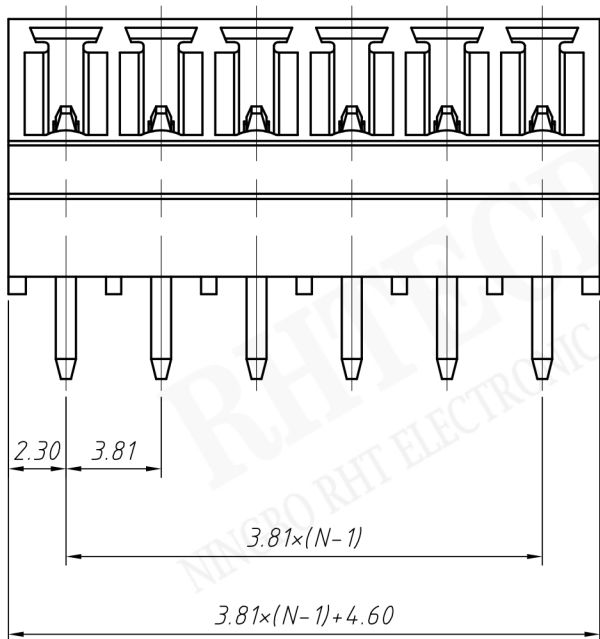


PCB LAYOUT



Material
 Housing: PA66, UL 94V-0
 Pin header: Copper alloy, Sn plated
Electrical
 Rated voltage: 300V
 Rated current: 8A
 Contact Resistance: 20 mΩ
 Insulation resistance: 500MΩ/DC500V
 Withstand voltage: AC2000V / 1min
Mechanical
 Temp. Range: -40 °C ~ +105 °C



Order Information

RE - C - EDY - 3.81 - XXP - 4 00
 RoHS
 Terminal Block
 Pitch
 No.: of Pole
 Color: 4- Green
 Product Code: 00~99