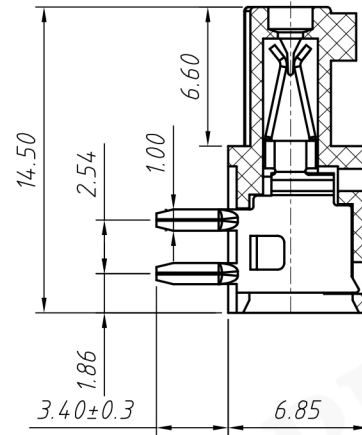
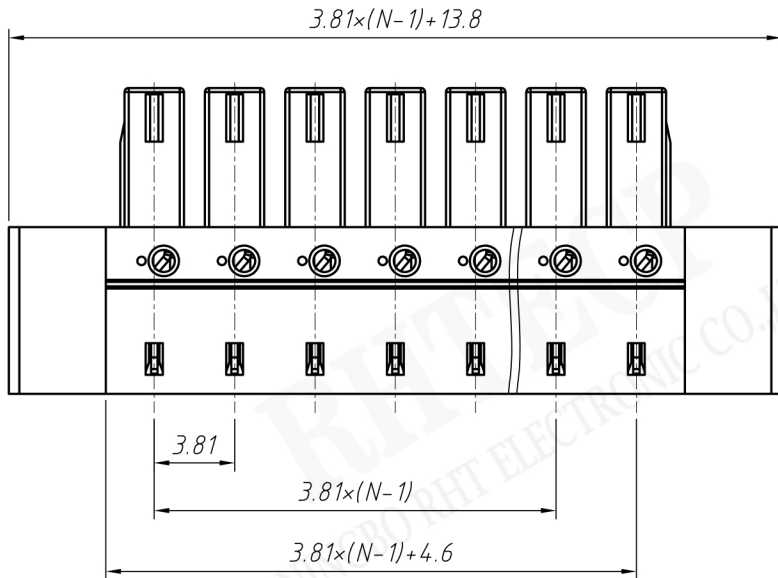


PCB LAYOUT



Material
Housing: PA66, UL94V-0
Clamp: Phosphor Bronze, Tin plated
Electrical
Rated voltage: 300V
Rated current: 8A
Contact Resistance: 20 mΩ
Insulation resistance: 500MΩ/DC500V
Withstand voltage: AC1250V / 1 min
Mechanical
Temp. Range: -40 °C ~ +105 °C

Order Information

RE - C - EDKRM - 3.81 - XXP - 4 00
RoHS
Terminal Block
Pitch
No.: of Pole
Color: 4- Green
Product Code: 00 ~ 99