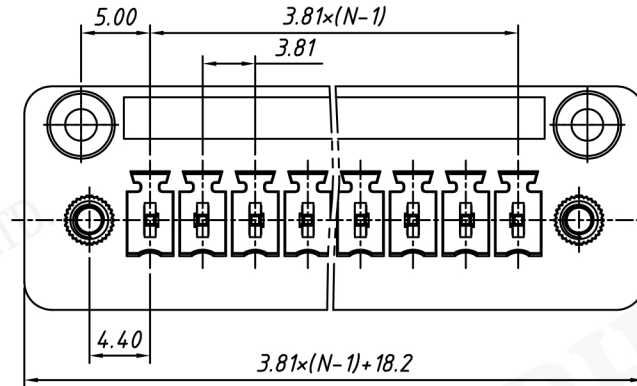


SECTION A-A



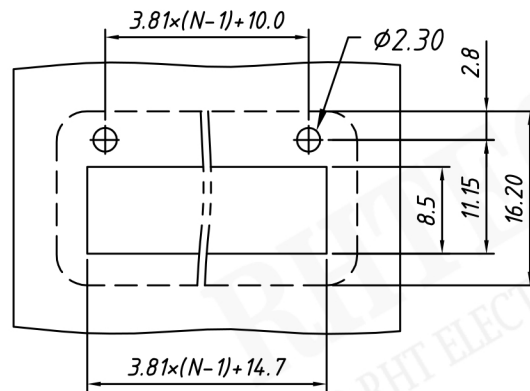
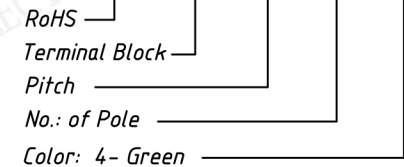
Material
Housing: PA66, UL94V-0
Pin header: Brass, Tin plated
Nut: M2.5, Brass

Electrical
Rated voltage: 300V
Rated current: 8A
Contact Resistance: 20 mΩ
Insulation resistance: 500MΩ/DC500V
Withstand voltage: AC2000V / 1 min

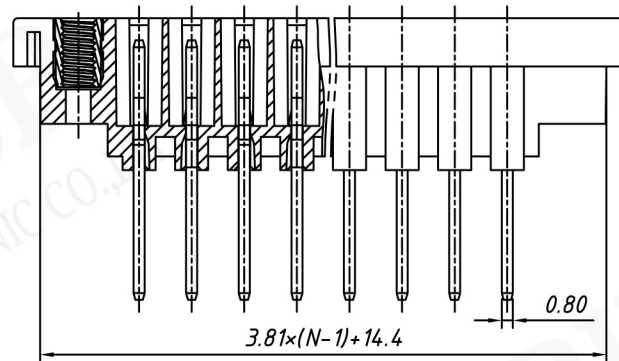
Mechanical
Temp. Range: -40 °C ~ +105 °C
Soldering: 250°C 5Sec. Max.

Order Information

RE - C - EDGM - 3.81 - XXP - 4



Panel Mount
S=0.6:1



NINGBO RHT ELECTRONIC CO.,LTD

UNITS:mm

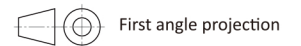
> 0 ~ 3
± 0.12

SHEET SIZE:A4

> 3 ~ 18
± 0.15

SCALE: ---

> 18 ~ 50
± 0.3
> 50 ~ 120
± 0.5



TERMINAL BLOCK