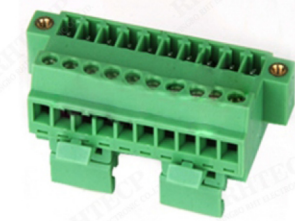


$N = \text{Number of poles}$   
 $\text{Dim A} = N \times 3.81 + 1.39$   
 $\text{Dim B} = (N - 1) \times 3.81$   
 $\text{Dim C} = N \times 3.81 + 5.19$   
 $\text{Dim D} = N \times 3.81 + 10.39$



RE-C-EDKFM-3.81 Series Pitch=3.81mm

**Electrical :**

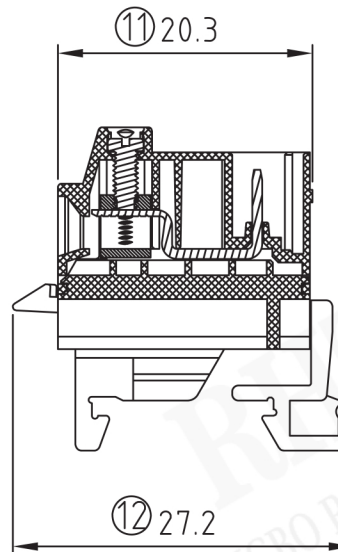
Rated voltage: 300V  
 Rated current: 8A  
 Contact resistance: 20mΩ  
 Insulation resistance: 5000MΩ/1000V  
 Withstanding Voltage: AC2000V/1Min

**Material**

Pin header: Brass, Tin plated  
 Housing: PA66, UL94V-0

**Mechanical**

Temp. Range: -40°C~+105°C  
 MAX Soldering: +250°C for 5 Sec



Product NO.: RE-C-EDKFM-3.81-XXP X X X

Pos. NO. \_\_\_\_\_ Customer Request  
 Series No. \_\_\_\_\_ Screw: C=Cross Screw S=Slot Screw  
 Pitch: 3.81±0.05mm Color: 1=Gray 2=Blue 3=Black  
 Number of Pole \_\_\_\_\_ 4=Green 5=Orange 6=Red  
 7=Transparent 8=Yellow 9=White

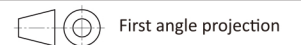


NINGBO RHT ELECTRONIC CO.,LTD

UNITS:mm

SHEET SIZE:A4

SCALE: ---



TERMIAL BLOCK

> 0 ~ 3

> 3 ~ 18

> 18 ~ 50

> 50 ~ 120

± 0.12

± 0.15

± 0.3

± 0.5