

SECTION A-A



**Material**

Housing: PA66, UL94V-0

Cage: Brass, Nickel plated

Clamp: Phosphor Bronze, Nickel plated

Screw: M3.0 steel, Zn plated

**Electrical**

Rated voltage: 300V

Rated current: 15A

Contact Resistance: 20 mΩ

Insulation resistance: 500MΩ/DC500V

Withstand voltage: AC2000V / 1 min

Wire Range: 28~14AWG/2.5mm<sup>2</sup>

**Mechanical**

Temp. Range: -40 °C ~ +105 °C

Strip length: 7.8mm

Torque: 5.1kgf-cm(0.5Nm/4.43Lbin)

**Order Information**

RE - C - EDK - 5.00 - XXP - 4 S XX

RoHS

Terminal Block

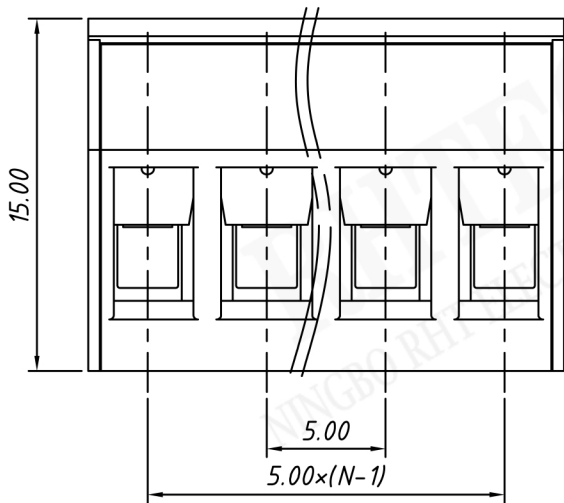
Pitch

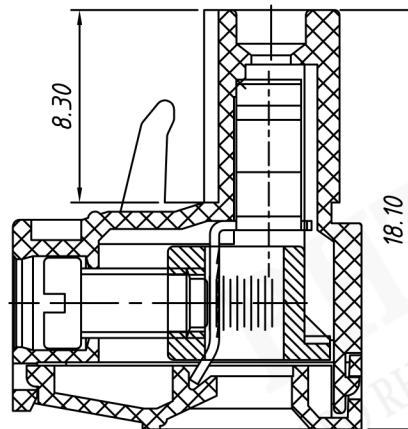
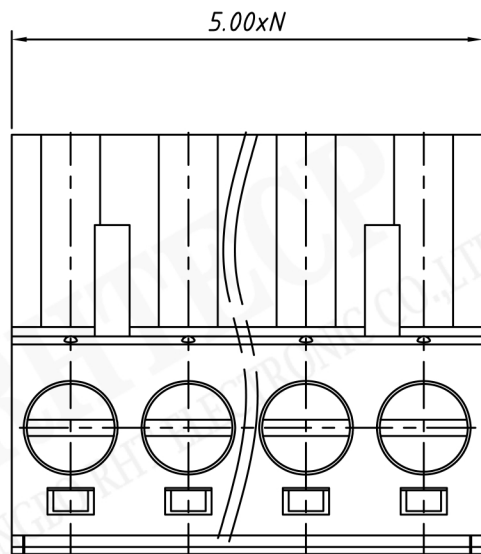
No. of Pole

Color: 4- Green

Screw: S- Slot Screw C- Cross Screw

Product Code: 00~99





SECTION A-A



**Material**

Housing: PA66, UL94V-0

Cage: Iron, Nickel plated

Clamp: Phosphor Bronze, Nickel plated

Screw: M3.0 steel, Zn plated

**Electrical**

Rated voltage: 300V

Rated current: 15A

Contact Resistance: 20 mΩ

Insulation resistance: 500MΩ/DC500V

Withstand voltage: AC2000V / 1 min

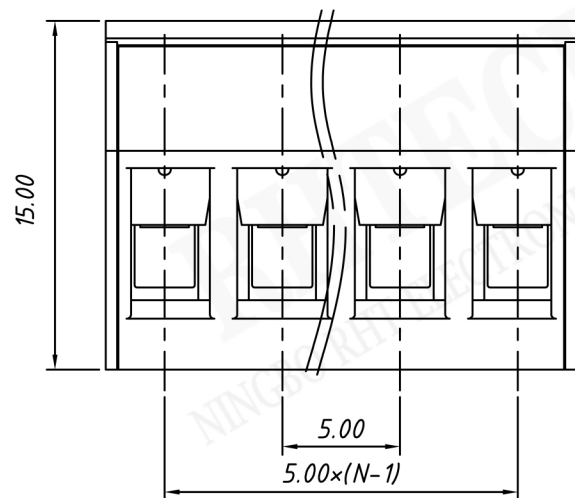
Wire Range: 28~14AWG/2.5mm<sup>2</sup>

**Mechanical**

Temp. Range: -40 °C ~ +105 °C

Strip length: 7~8mm

Torque: 5.1kgf-cm(0.5Nm/4.43Lbin)



**Order Information**

RE - C-EDK -5.00-XXP-4 S XX

RoHS

Terminal Block

Pitch

No. of Pole

Color: 4- Green

Screw: S- Slot Screw

C- Cross Screw

Product Code: 00~99

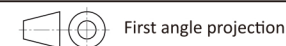


NINGBO RHT ELECTRONIC CO.,LTD

UNITS:mm

SHEET SIZE:A4

SCALE: ---



First angle projection

> 0~3

> 3~18

> 18~50

> 50~120

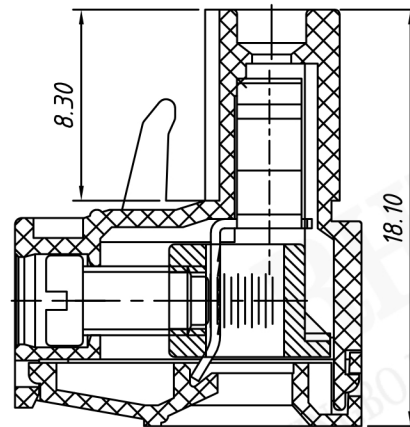
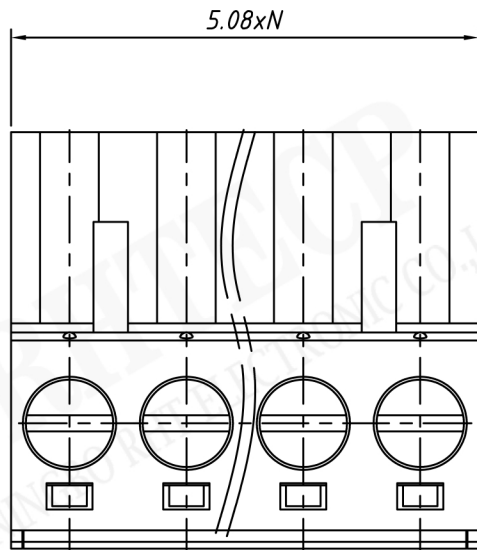
± 0.12

± 0.15

± 0.3

± 0.5

TERMINAL BLOCK



SECTION A-A



**Material**

Housing: PA66, UL94V-0

Cage: Brass, Nickel plated

Clamp: Phosphor Bronze, Nickel plated

Screw: M3.0 steel, Zn plated

**Electrical**

Rated voltage: 300V

Rated current: 15A

Contact Resistance: 20 m Ω

Insulation resistance: 500MΩ/DC500V

Withstand voltage: AC2000V / 1 min

Wire Range: 28~14AWG/2.5mm<sup>2</sup>

**Mechanical**

Temp. Range: -40 °C ~ +105 °C

Strip length: 7~8mm

Torque: 5.1kgf-cm(0.5Nm/4.43lbin)

**Order Information**

RE - C - EDK - 5.00 - XXP - 4 S XX

RoHS

Terminal Block

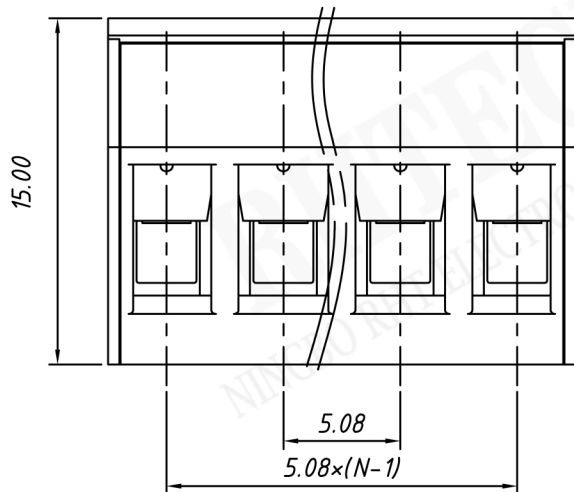
Pitch

No. of Pole

Color: 4- Green

Screw: S- Slot Screw C- Cross Screw

Product Code: 00~99



NINGBO RHT ELECTRONIC CO.,LTD

UNITS:mm

SHEET SIZE:A4

SCALE: ---



First angle projection

> 0~3

> 3~18

> 18~50

> 50~120

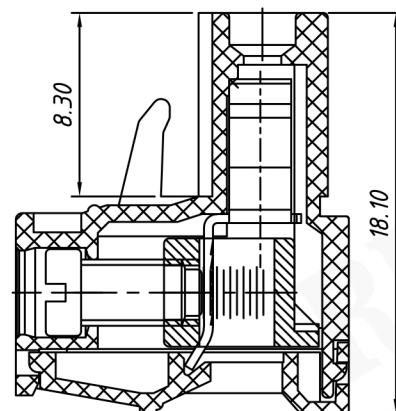
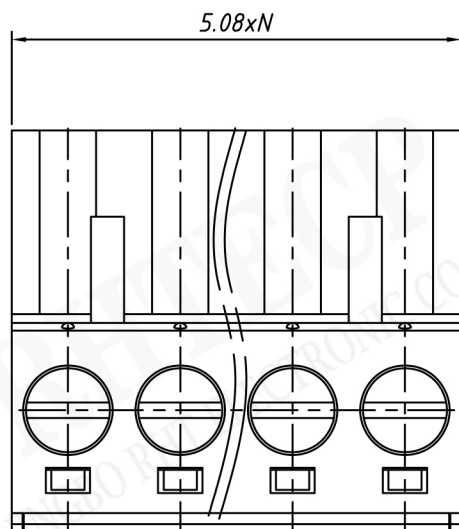
± 0.12

± 0.15

± 0.3

± 0.5

TERMINAL BLOCK



SECTION A-A

**Material**

Housing: PA66, UL94V-0

Cage: Iron, Nickel plated

Clamp: Phosphor Bronze, Nickel plated

Screw: M3.0 steel, Zn plated

**Electrical**

Rated voltage: 300V

Rated current: 15A

Contact Resistance: 20 mΩ

Insulation resistance: 500MΩ/DC500V

Withstand voltage: AC2000V / 1 min

Wire Range: 28~14AWG/2.5mm<sup>2</sup>

**Mechanical**

Temp. Range: -40 °C ~ +105 °C

Strip length: 7~8mm

Torque: 5.1kgf-cm(0.5Nm/4.43Lbin)

**Order Information**

RE - C - EDK - 5.00 - XXP - 4 S XX

RoHS

Terminal Block

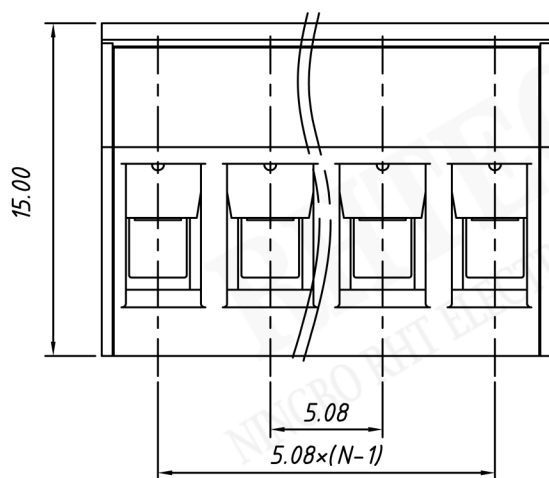
Pitch

No. of Pole

Color: 4- Green

Screw: S- Slot Screw C- Cross Screw

Product Code: 00~99



NINGBO RHT ELECTRONIC CO.,LTD

UNITS:mm

SHEET SIZE:A4

SCALE: ---

> 0~3

> 3~18

> 18~50

> 50~120

± 0.12

± 0.15

± 0.3

± 0.5



First angle projection

TERMINAL BLOCK