

SECTION:A-A



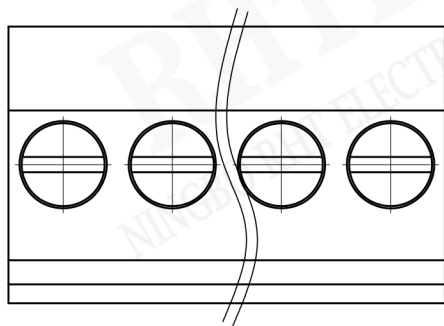
Material
 Housing: PA66, UL94V-0
 Cage: Brass, Ni plated
 Clamp: Phosphor bronze, Ni plated
 Screws: M3.0, Steel, Zn plated

Electrical
 Rated voltage: 300V
 Rated current: 15A
 Contact Resistance: 20 mΩ
 Insulation resistance: 500MΩ/DC500V
 Withstand voltage: AC2000V / 1 min
 Wire Range: 28~14AWG 1.5mm²
 Mechanical
 Temp. Range: -40 °C ~ +105 °C
 Strip length: 7~8mm
 Torque: 0.5Nm(4.5Lbin)

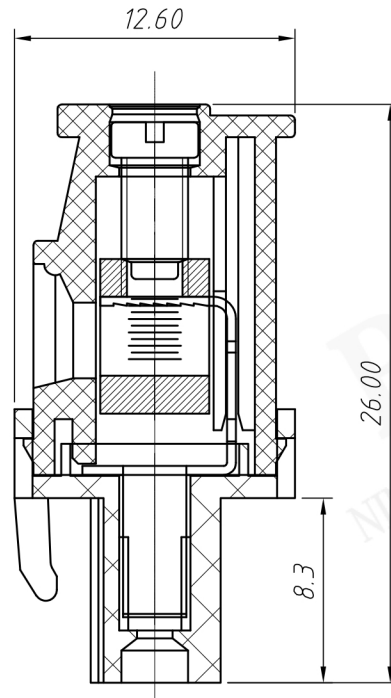
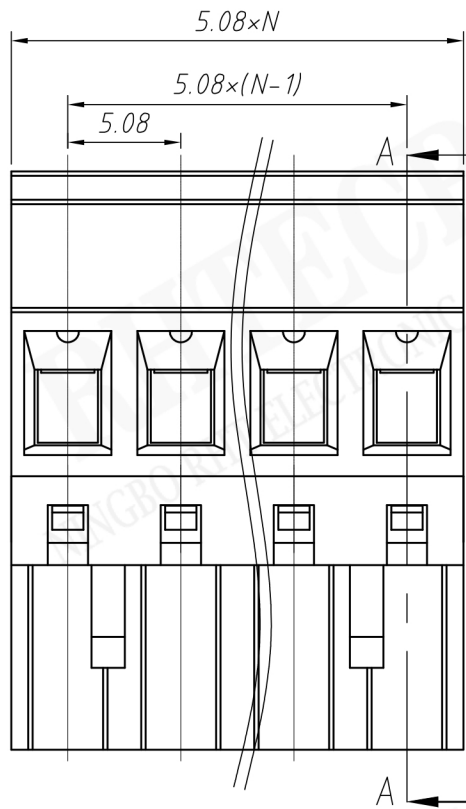
Order Information

RE - C - EDKA - 5.00 - XXP - 4 S 00

RoHS
 Terminal Block
 Pitch
 No.: of Pole
 Color: 4- Green
 Screw: S-Slot Screw C-Cross Screw
 Product Code: 00~99



UNITS:mm	SHEET SIZE:A4		SCALE: ---
> 0~ 3	> 3~ 18	> 18~ 50	> 50~ 120
± 0.12	± 0.15	± 0.3	± 0.5



Material
Housing: PA66, UL94V-0
Cage: Brass, Ni plated
Clamp: Phosphor bronze, Ni plated
Screws: M3.0, Steel, Zn plated

Electrical
Rated voltage: 300V
Rated current: 15A
Contact Resistance: 20 mΩ
Insulation resistance: 500MΩ/DC500V
Withstand voltage: AC2000V / 1min
Wire Range: 28~14AWG 1.5mm²

Mechanical
Temp. Range: -40 °C ~ +105 °C
Strip length: 7~8mm
Torque: 0.5Nm(4.5Lbin)

Order Information

RE - C - EDKA -5.08-XXP-4 S 00

