

SECTION A-A



*Material*

*Clamp: Phosphor Bronze, Tin plated*

*Housing: PA66, UL94V-0*

*Shrapnel: Stainless Steel*

*Electrical*

*Rated voltage: 300V*

*Rated current: 10A*

*Wire Range: 28~14AWG 2.5mm<sup>2</sup>*

*Contact Resistance: 20 mΩ*

*Insulation resistance: 500MΩ/DC500V*

*Withstand voltage: AC2000V / 1 min*

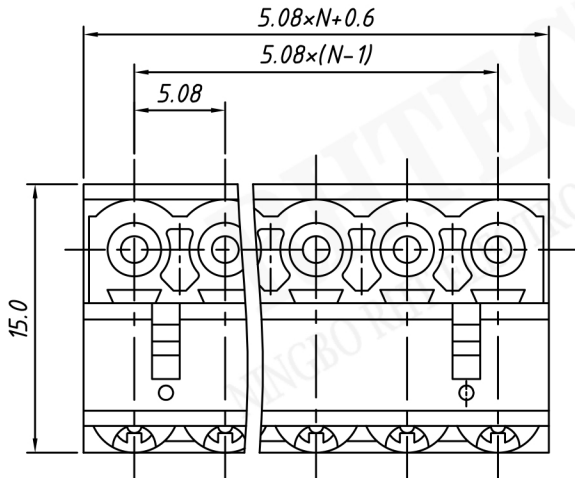
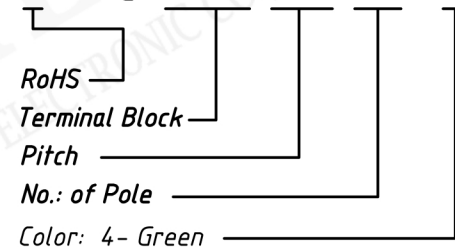
*Mechanical*

*Temp. Range: -40 °C ~ +105 °C*

*Strip Length: 7~8mm*

*Order Information*

*RE - C - EDKE - 5.08 - XXP - 4*



| UNITS:mm | SHEET SIZE:A4 |         | SCALE: --- |
|----------|---------------|---------|------------|
| > 0~3    | > 3~18        | > 18~50 | > 50~120   |
| ± 0.12   | ± 0.15        | ± 0.3   | ± 0.5      |