

Material

Pin header: Brass, Tin plated

Housing: PA66, UL94V-0

Electrical

Rated voltage: 300V

Rated current: 15A

Contact Resistance: 20 m Ω

Insulation resistance: 500MΩ/DC500V

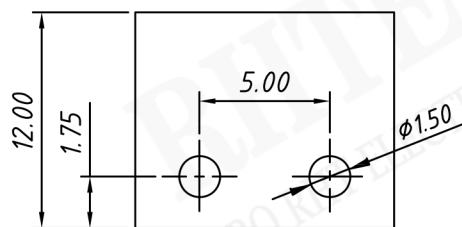
Withstand voltage: AC2000V / 1 min

Mechanical

Temp. Range: -40 °C ~ + 105 °C

Soldering: 250°C 5Sec. Max.

SECTION A-A



PCB LAYOUT

Order Information

RE - C-EDR -5.00-XXP-4 XX

RoHS

Terminal Block

Pitch

No.: of Pole

Color: 4- Green

Product Code: 00~99



NINGBO RHT ELECTRONIC CO.,LTD

UNITS:mm

SHEET SIZE:A4

SCALE: ---



First angle projection

> 0 ~ 3

> 3 ~ 18

> 18 ~ 50

> 50 ~ 120

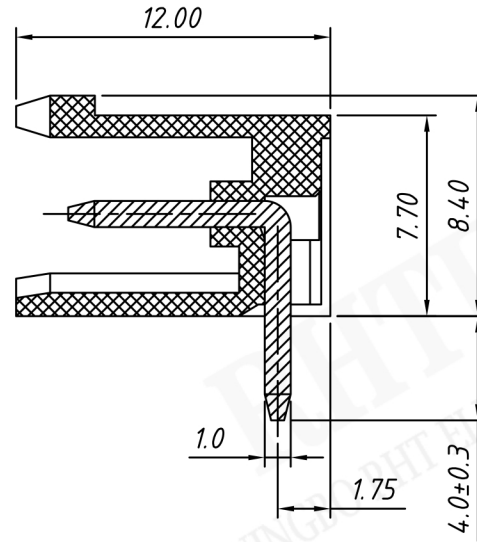
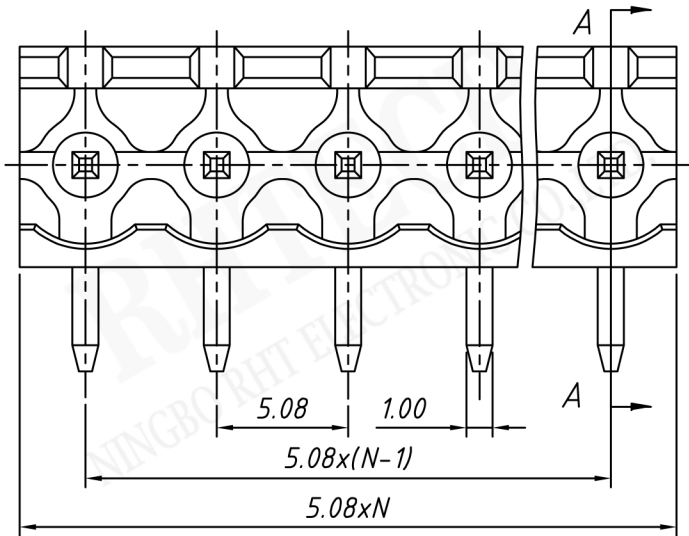
± 0.12

± 0.15

± 0.3

± 0.5

TERMINAL BLOCK



Material

Pin header: Brass, Tin plated

Housing: PA66, UL94V-0

Electrical

Rated voltage: 300V

Rated current: 15A

Contact Resistance: 20 mΩ

Insulation resistance: 500MΩ/DC500V

Withstand voltage: AC2000V / 1 min

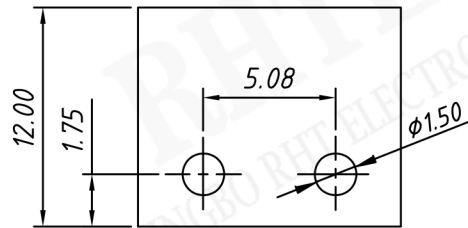
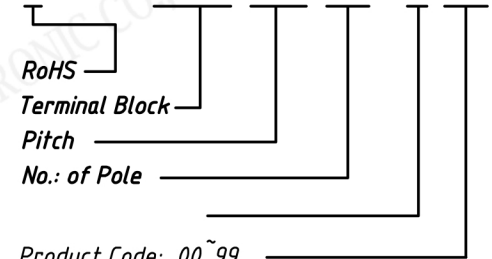
Mechanical

Temp. Range: -40 °C ~ +105 °C

Soldering: 250°C 5Sec. Max.

Order Information

RE - C - EDR - 5.08 - XXP - 4 XX



PCB LAYOUT