

SECTION A-A



Material  
Housing: PA66, UL94V-0  
Pin header: Brass, Tin plated

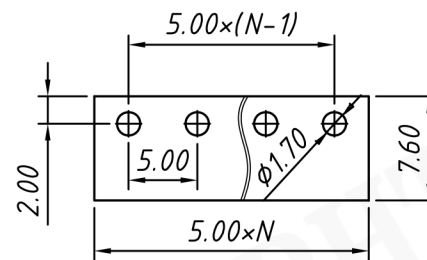
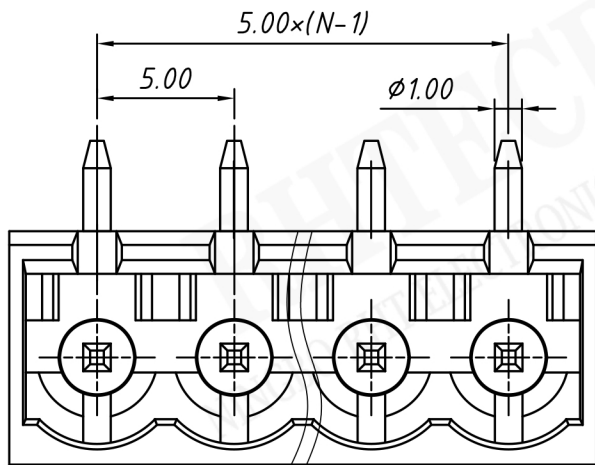
Electrical  
Rated voltage: 300V  
Rated current: 15A  
Contact Resistance:  $20 \text{ m } \Omega$   
Insulation resistance:  $500 \text{ M } \Omega / \text{DC500V}$   
Withstand voltage: AC2000V / 1 min

Mechanical  
Temp. Range:  $-40 \text{ } ^\circ \text{C} \sim +105 \text{ } ^\circ \text{C}$

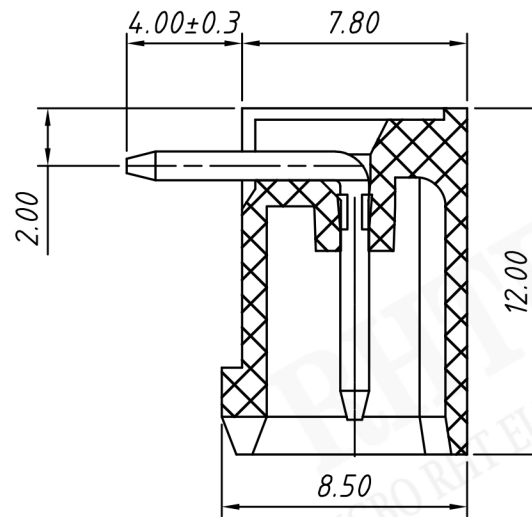
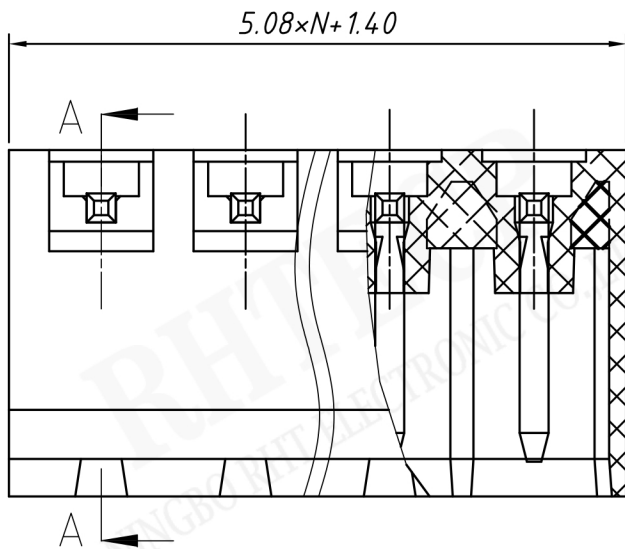
Order Information

RE - C - EDRRC - 5.00 - XXP - 4 00

RoHS  
Terminal Block  
Pitch  
No.: of Pole  
Color: 4- Green  
Product Code: 00 ~ 99



PCB LAYOUT



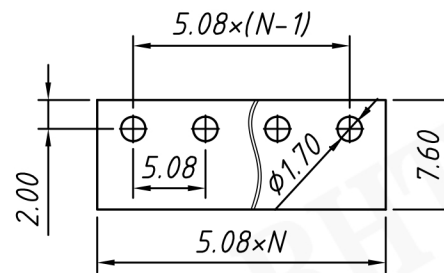
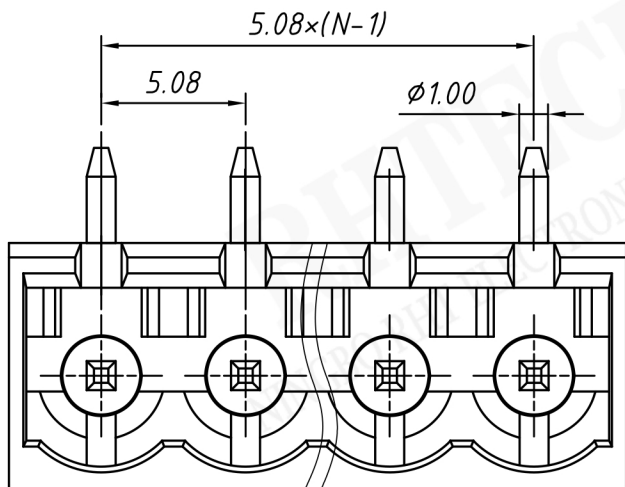
SECTION A-A



Material  
 Housing: PA66, UL94V-0  
 Pin header: Brass, Tin plated

Electrical  
 Rated voltage: 300V  
 Rated current: 15A  
 Contact Resistance: 20 m Ω  
 Insulation resistance: 500MΩ/DC500V  
 Withstand voltage: AC2000V / 1 min

Mechanical  
 Temp. Range: -40 °C ~ +105 °C



PCB LAYOUT

Order Information

RE - C - EDRRC - 5.08 - XXP - 4 00

RoHS  
 Terminal Block  
 Pitch  
 No.: of Pole  
 Color: 4- Green  
 Product Code: 00~99