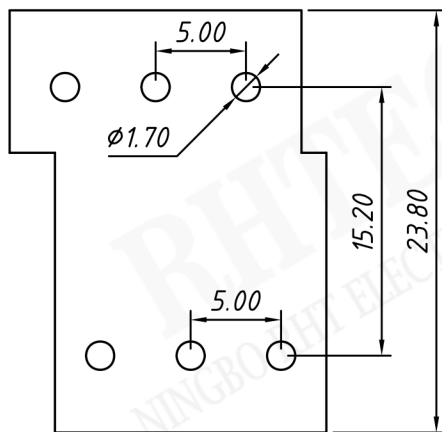


**Material**  
 Housing: PA66, UL94V-0  
 Pin header: Brass, Tin plated  
**Electrical**  
 Rated voltage: 300V  
 Rated current: 15A  
 Contact Resistance: 20 m Ω  
 Insulation resistance: 500MΩ/DC500V  
 Withstand voltage: AC2000V / 1min  
**Mechanical**  
 Temp. Range: -40 °C ~ +105 °C

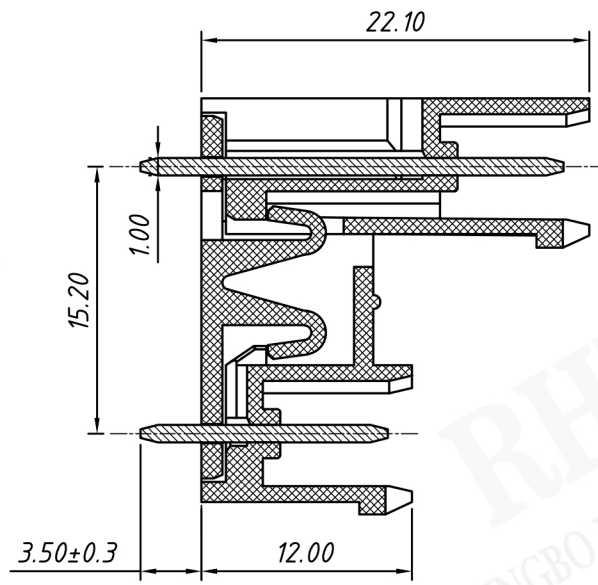
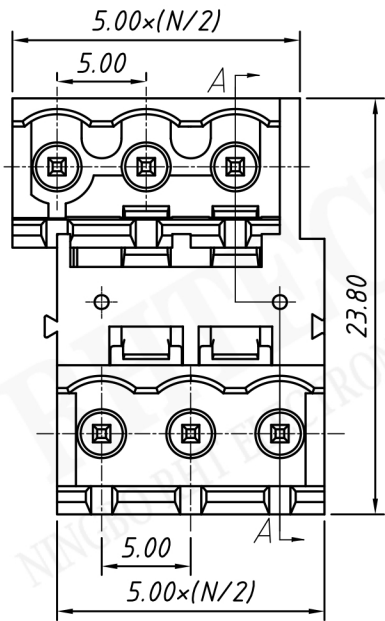


TOLERANCES EXCEPT AS NOTED

**Order Information**

RE - C - EDCV - 5.00 - XXP - 4 00  
 ————  
 RoHS ————  
 Terminal Block ————  
 Pitch ————  
 No.: of Pole ————  
 Color: 4- Green ————  
 Product Code: 00 ~ 99 ————

UNITS:mm	SHEET SIZE:A4		SCALE: ---
> 0 ~ 3	> 3 ~ 18	> 18 ~ 50	> 50 ~ 120
± 0.12	± 0.15	± 0.3	± 0.5

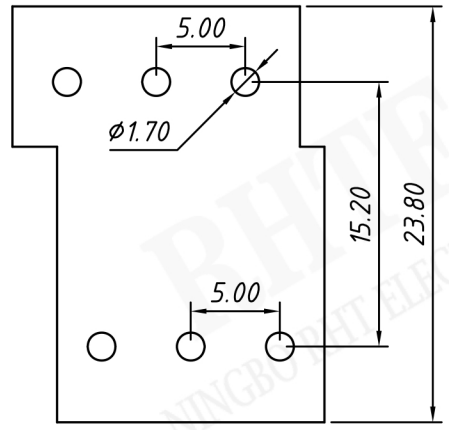
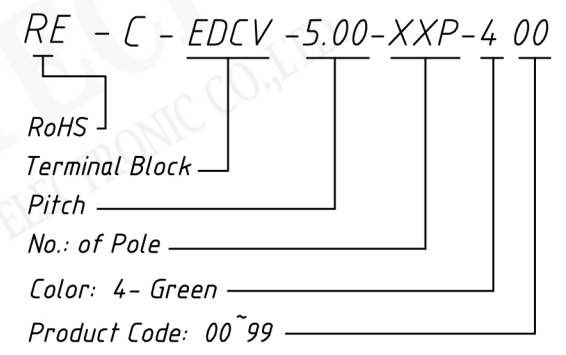


Material  
Housing: PA66, UL94V-0  
Pin header: Brass, Tin plated

Electrical  
Rated voltage: 300V  
Rated current: 15A  
Contact Resistance: 20 m Ω  
Insulation resistance: 500MΩ/DC500V  
Withstand voltage: AC2000V / 1 min

Mechanical  
Temp. Range: -40 °C ~ +105 °C

Order Information



TOLERANCES EXCEPT AS NOTED

UNITS:mm	SHEET SIZE:A4		SCALE: ---
> 0~3	> 3~18	> 18~50	> 50~120
± 0.12	± 0.15	± 0.3	± 0.5