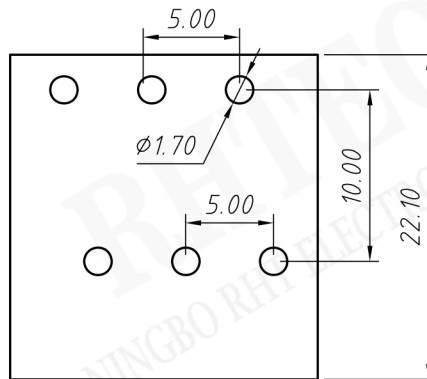


SECTION A-A



TOLERANCES EXCEPT AS NOTED



Material

Housing:

PA66, UL94V-0

Pin header:

Brass, Tin plated

Electrical

Rated voltage: 300V

Rated current: 15A

Contact Resistance: 20 mΩ

Insulation resistance: 500MΩ/DC500V

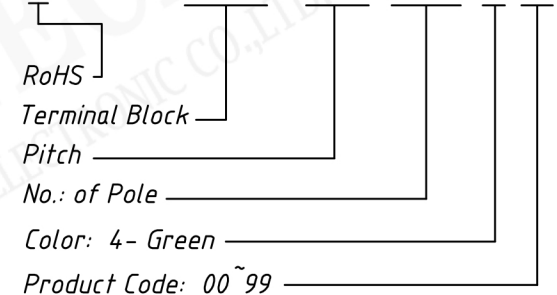
Withstand voltage: AC2000V / 1min

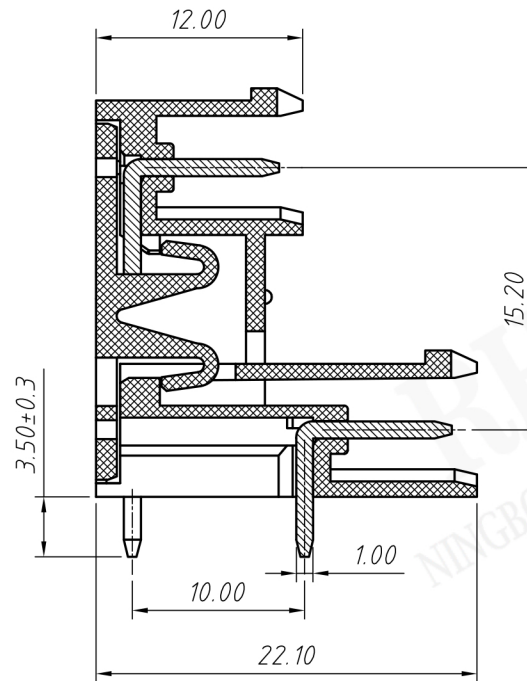
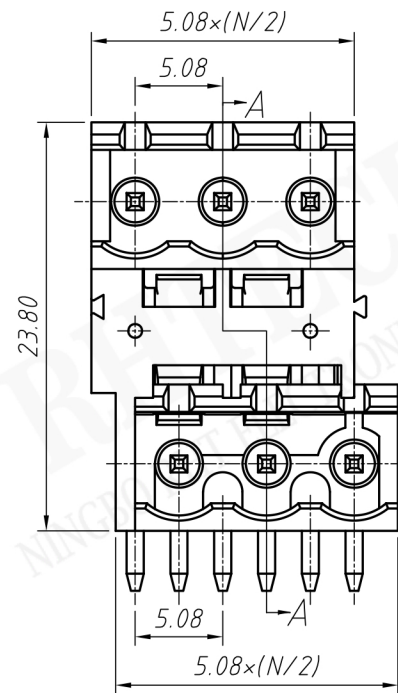
Mechanical

Temp. Range: -40 °C ~ +105 °C

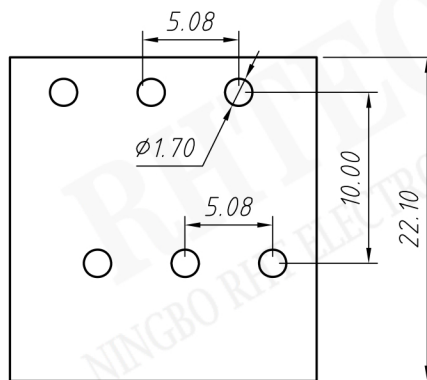
Order Information

RE - C - EDCR - 5.00 - XXP - 4 00





SECTION A-A



TOLERANCES EXCEPT AS NOTED



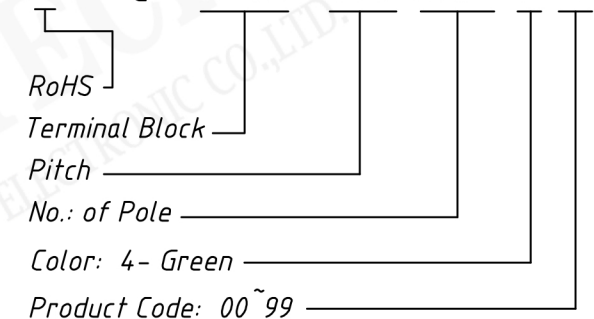
Material
 Housing: PA66, UL94V-0
 Pin header: Brass, Tin plated

Electrical
 Rated voltage: 300V
 Rated current: 15A
 Contact Resistance: 20 m Ω
 Insulation resistance: 500MΩ/DC500V
 Withstand voltage: AC2000V / 1 min

Mechanical
 Temp. Range: -40 °C ~ +105 °C

Order Information

RE - C - EDCR - 5.08 - XXP - 4 00



UNITS:mm	SHEET SIZE:A4		SCALE: ---
> 0~ 3	> 3~ 18	> 18~ 50	> 50~ 120
± 0.12	± 0.15	± 0.3	± 0.5