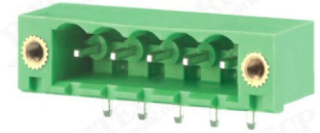


SECTION A-A

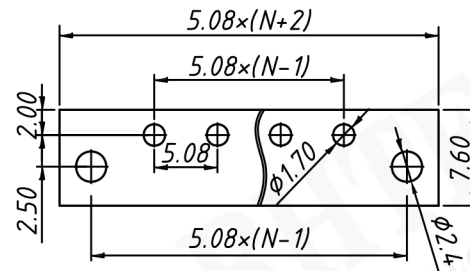
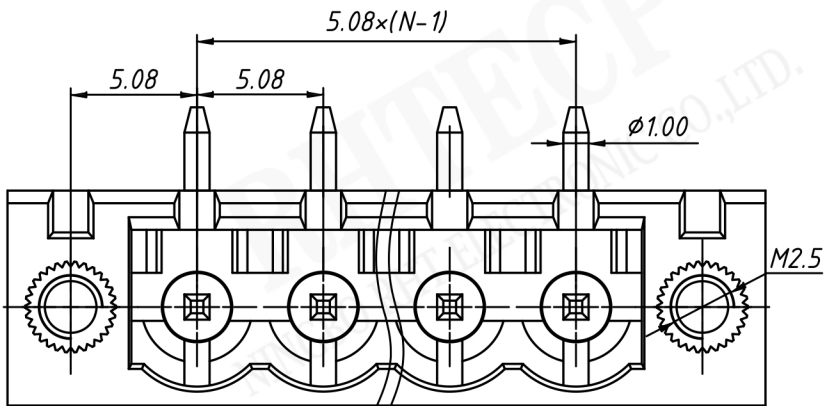
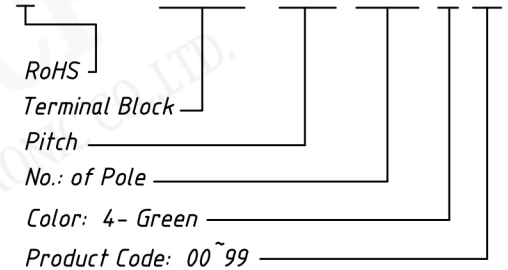


Material
 Housing: PA66, UL94V-0
 Pin header: Brass, Tin plated

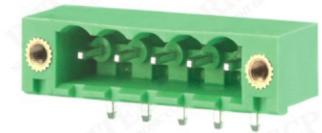
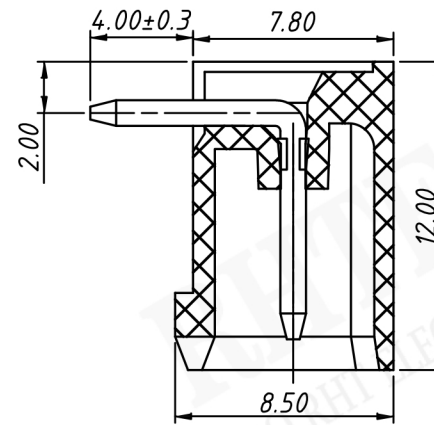
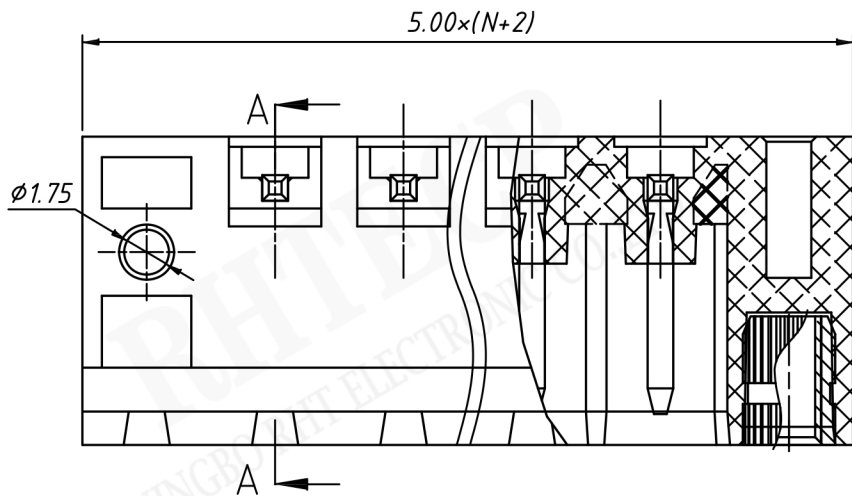
Electrical
 Rated voltage: 300V
 Rated current: 15A
 Contact Resistance: 20 mΩ
 Insulation resistance: 500MΩ/DC500V
 Withstand voltage: AC2000V / 1 min
 Mechanical
 Temp. Range: -40 °C ~ +105 °C

Order Information

RE - C - ED RRY - 5.08 - XXP - 4 00



PCB LAYOUT

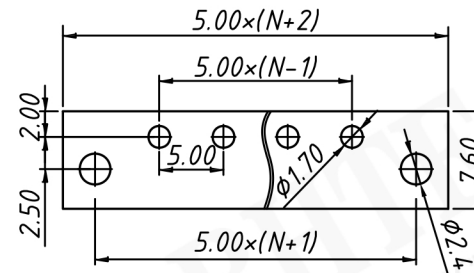
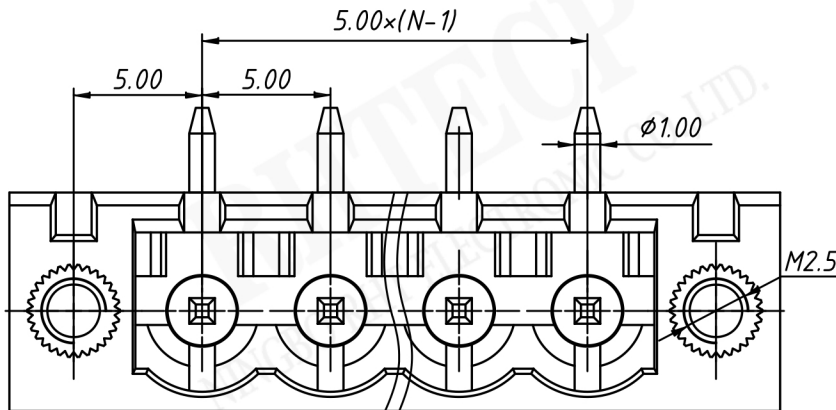


Material
 Housing: PA66, UL94V-0
 Pin header: Brass, Tin plated

Electrical
 Rated voltage: 300V
 Rated current: 15A
 Contact Resistance: 20 mΩ
 Insulation resistance: 500MΩ/DC500V
 Withstand voltage: AC2000V / 1 min

Mechanical
 Temp. Range: -40 °C ~ +105 °C

SECTION A-A



PCB LAYOUT

Order Information

