

Material
Housing: PA66, UL94V-0
Pin header: Brass, Tin plated
Nut: Brass

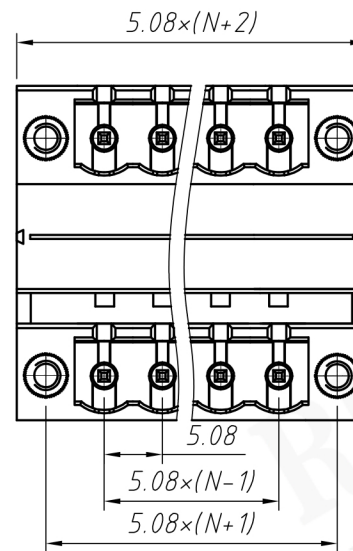
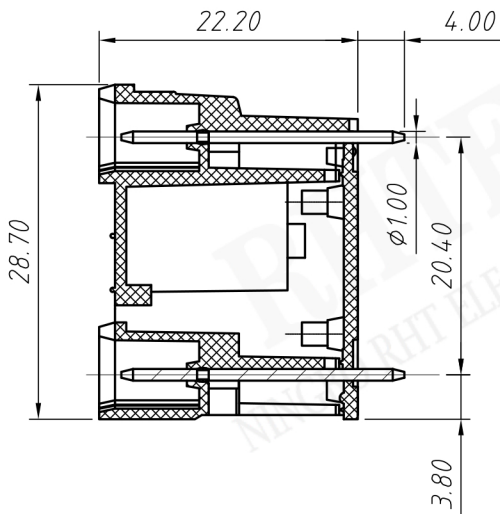
Electrical
Rated voltage: 300V
Rated current: 15A
Contact Resistance: 20 mΩ
Insulation resistance: 500MΩ/DC500V
Withstand voltage: AC1250V / 1 min

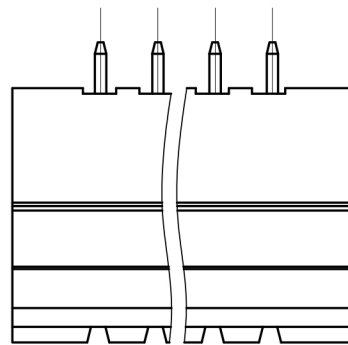
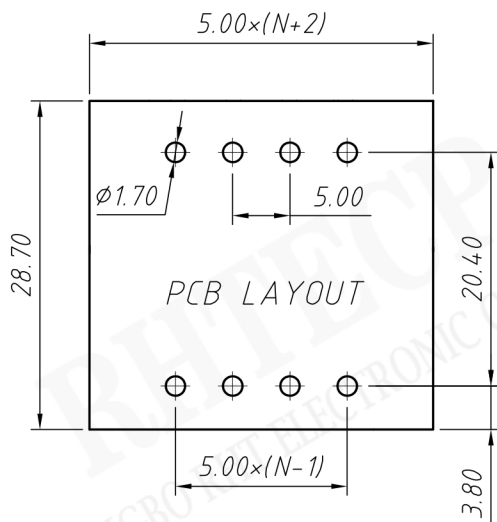
Mechanical
Temp. Range: -40 °C ~ +105 °C

Order Information

RE - C - EDDL V - 5.08 - XXP - 4 00

RoHS
Terminal Block
Pitch
No.: of Pole
Color: 4- Green
Product Code: 00 ~ 99





Material
 Housing: PA66, UL94V-0
 Pin header: Brass, Tin plated

Electrical
 Rated voltage: 300V
 Rated current: 15A
 Contact Resistance: 20 mΩ
 Insulation resistance: 500MΩ/DC500V
 Withstand voltage: AC1250V / 1 min

Mechanical
 Temp. Range: -40 °C ~ +105 °C

Order Information

RE - C - EDDL V - 5.00 - XXP - 4 00

