



**SMA Connector Series**

**RE-C-SMA016 SMA Connector Series**

**Electrical Specifications**

- Impedance: 50 Ω
- Frequency Range
  - Semi-rigid cable: 0-18 GHz
  - Flexible cables: 0-12.4 GHz
- Voltage Rating : 335 volts rms.
- Dielectric Withstanding Voltage : 500 volts rms.
- VSWR :
  - 1.15 +0.02 f (GHz) for Straight connector typical
  - 1.25 +0.025 f (GHz) for Right angle connector typical
- Contact Resistance: Center contact: 2.0 mΩ  
Body: 2.0 mΩ
- Insulation Resistance: 5,000 MΩ

**Mechanical Specifications**

- Mating: 1/4"-36 UNS thread coupling
- Cable retention: 6kgf typical
- Durability: 500 Cycles Min.
- Coupling nut retention: 18kgf Min.
- Temperature Range: - 55°C to +155°C

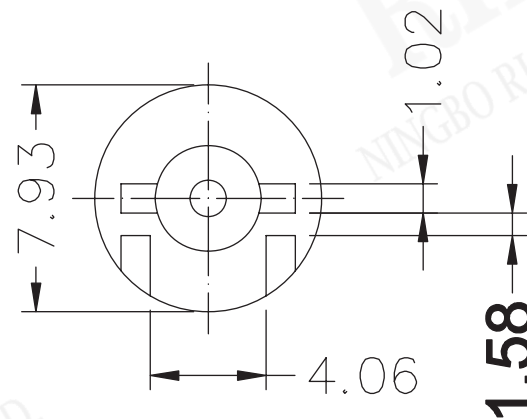
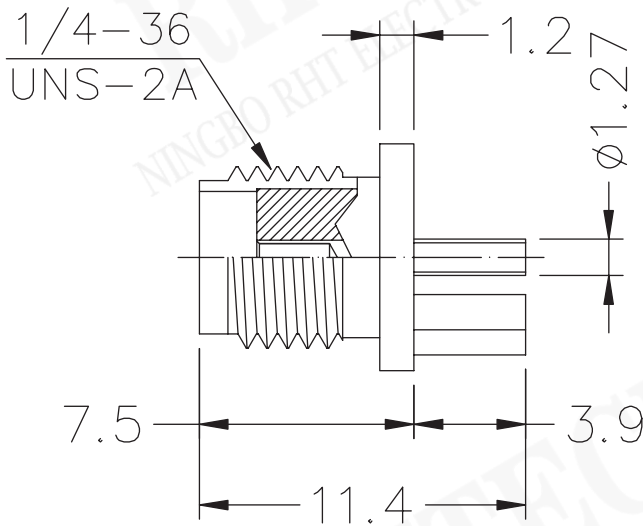
**Material**

- Connector body: Brass per QQ-B-626 ,gold Plating or nickel
- Center contact Male: Brass,gold Plating
- Center contact Female: Beryllium copper,gold Plating
- Insulator: PTFE
- Gasket: Silicone rubber
- Crimp Ferrule: Annealed copper

**ORDER INFORMATION**

Product NO.: RE-C-SMA016

Pos. NO. \_\_\_\_\_  
SMA Connector Type \_\_\_\_\_



UNITS:mm		SHEET SIZE:A4		SCALE: ---	
> 0~ 3	> 3~ 18	> 18~ 50	> 50~ 120	> 0~ 3	> 3~ 18
± 0.12	± 0.15	± 0.3	± 0.5	± 0.12	± 0.15

