

SECTION A-A



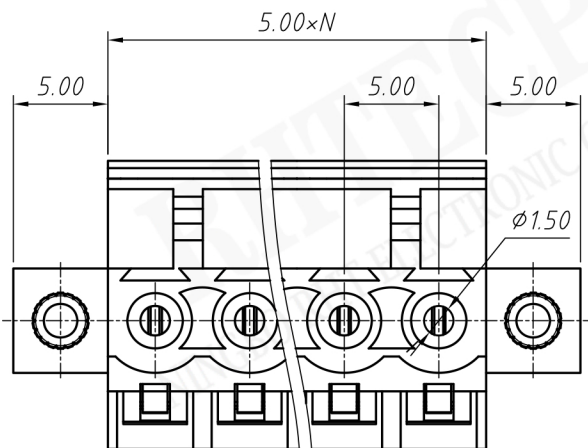
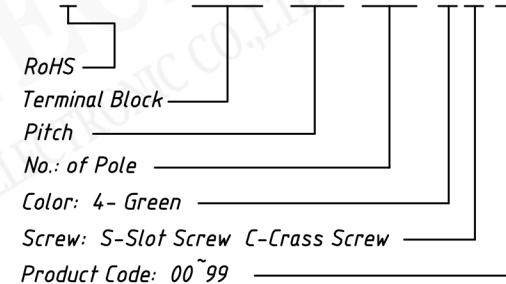
Material
 Housing: PA66, UL94V-0
 Cage: Brass, Ni plated
 Screws: M3.0, Steel, Zn plated
 Clamp: Phosphor bronze, Ni plated

Electrical
 Rated voltage: 300V
 Rated current: 15A
 Contact Resistance: 20 mΩ
 Insulation resistance: 500MΩ/DC500V
 Withstand voltage: AC2000V / 1min
 Wire Range: 28~14AWG 2.5mm²

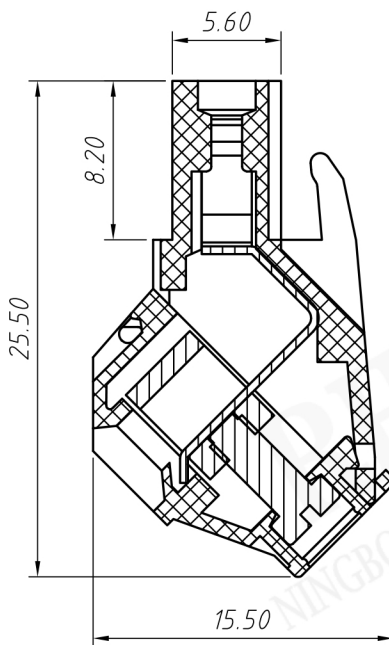
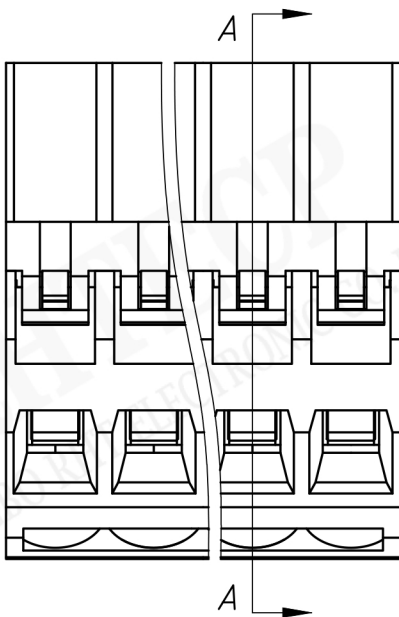
Mechanical
 Temp. Range: -40 °C ~ +105 °C
 Strip length: 7~8mm
 Torque: 0.4m(3.6Lbin)

Order Information

RE - C - ELKM -5.00-XXP-4 S 00



| UNITS:mm | SHEET SIZE:A4 | | SCALE: --- |
|----------|---------------|---------|------------|
| > 0~3 | > 3~18 | > 18~50 | > 50~120 |
| ± 0.12 | ± 0.15 | ± 0.3 | ± 0.5 |



SECTION A-A



Material

Housing:

PA66, UL94V-0

Cage:

Brass, Ni plated

Screws:

M3.0, Steel, Zn plated

Clamp:

Phosphor bronze, Ni plated

Electrical

Rated voltage:

300V

Rated current:

15A

Contact Resistance:

20 mΩ

Insulation resistance:

500MΩ/DC500V

Withstand voltage:

AC2000V / 1min

Wire Range:

28~14AWG 2.5mm²

Mechanical

Temp. Range:

-40 °C ~ +105 °C

Strip length:

7~8mm

Torque:

0.4m(3.6Lbin)

Order Information

RE - C - ELKM - 5.08 - XXP - 4 S 00

RoHS

Terminal Block

Pitch

No.: of Pole

Color: 4- Green

Screw: S-Slot Screw C-Cross Screw

Product Code: 00~99

