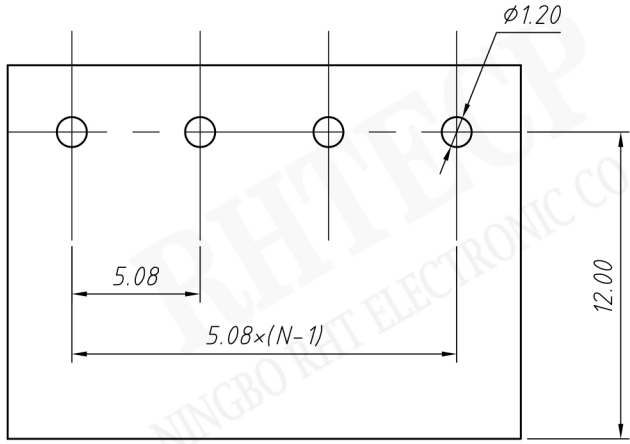
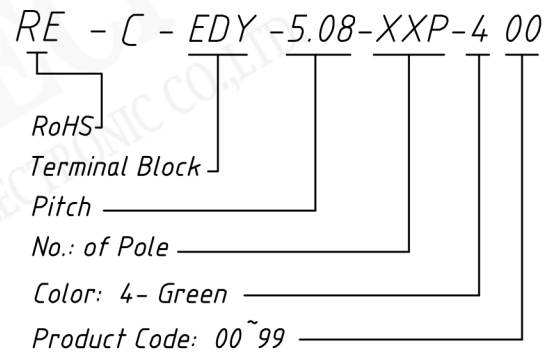


**Material**  
 Housing: PA66, UL94V-0  
 Pin header: Brass, Tin plated  
**Electrical**  
 Rated voltage: 300V  
 Rated current: 15A  
 Contact Resistance: 20 mΩ  
 Insulation resistance: 500MΩ/DC500V  
 Withstand voltage: AC2000V / 1 min  
**Mechanical**  
 Temp. Range: -40 °C ~ +105 °C

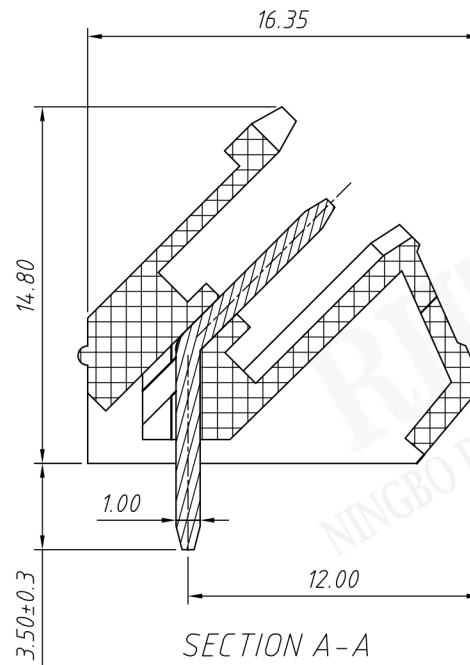
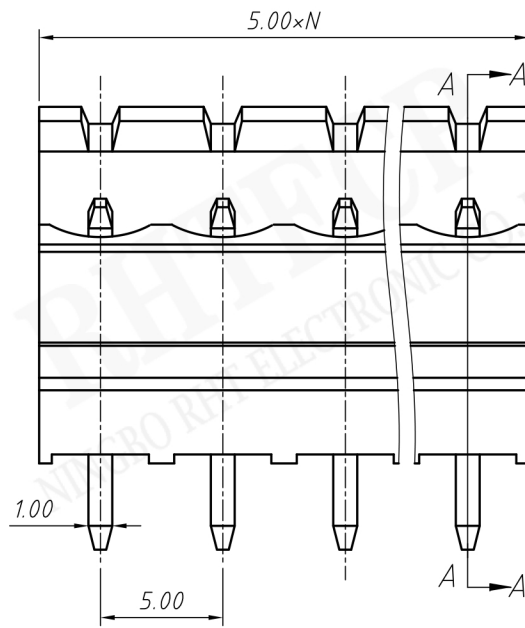
**Order Information**



PCB LAYOUT

UNITS:mm	SHEET SIZE:A4		SCALE: ---
> 0~ 3	> 3~ 18	> 18~ 50	> 50~ 120
± 0.12	± 0.15	± 0.3	± 0.5



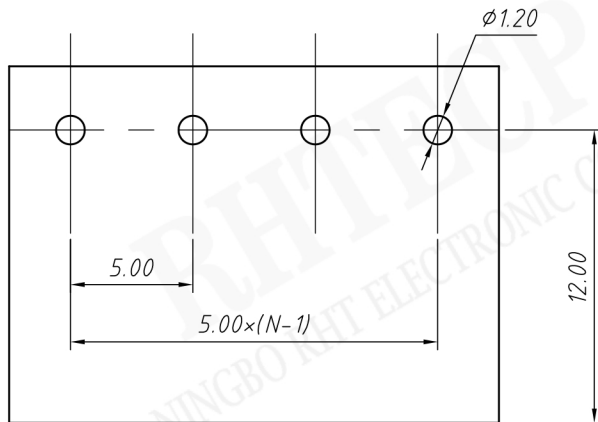
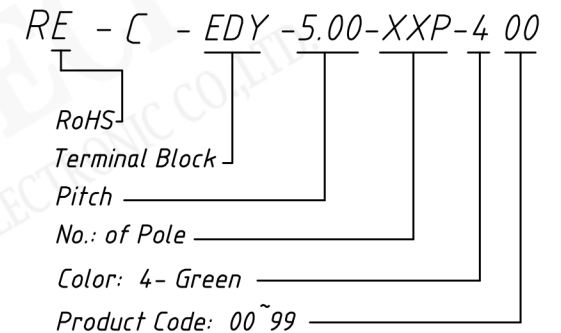


**Material**  
**Housing:** PA66, UL 94V-0  
**Pin header:** Brass, Tin plated

**Electrical**  
**Rated voltage:** 300V  
**Rated current:** 15A  
**Contact Resistance:** 20 m Ω  
**Insulation resistance:** 500MΩ/DC500V  
**Withstand voltage:** AC2000V / 1 min

**Mechanical**  
**Temp. Range:** -40 °C ~ + 105 °C

**Order Information**



PCB LAYOUT

UNITS:mm	SHEET SIZE:A4		SCALE: ---
> 0 ~ 3	> 3 ~ 18	> 18 ~ 50	> 50 ~ 120
± 0.12	± 0.15	± 0.3	± 0.5