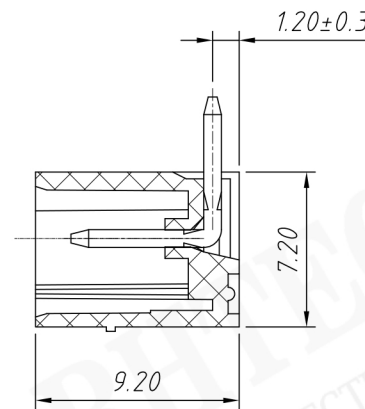
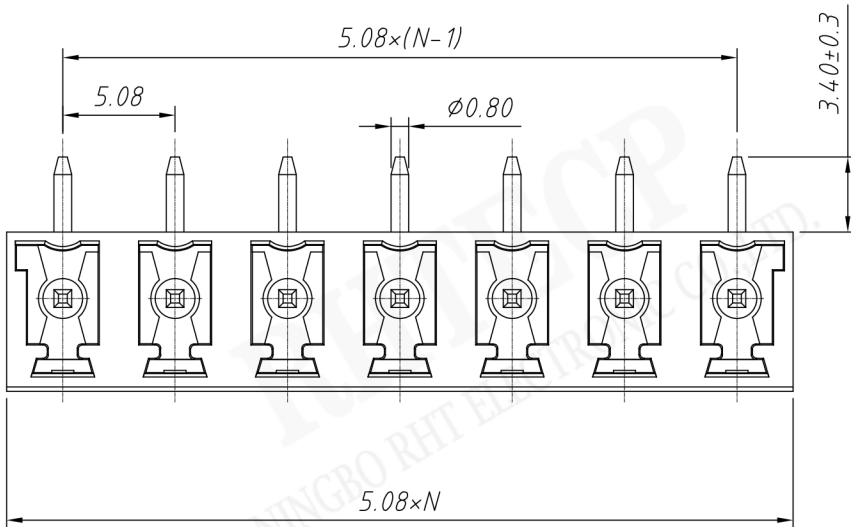


PCB LAYOUT



- Material**
- Housing:** PA66, UL94V-0
- Pin header:** Brass, Tin plated
- Electrical**
- Rated voltage:** 300V
- Rated current:** 8A
- Contact Resistance:** 20 m Ω
- Insulation resistance:** 500MΩ/DC500V
- Withstand voltage:** AC2000V / 1 min
- Mechanical**
- Temp. Range:** -40 °C ~ +105 °C

Order Information

RE - C - EDKFR - 5.08 - XXP - 4 00

