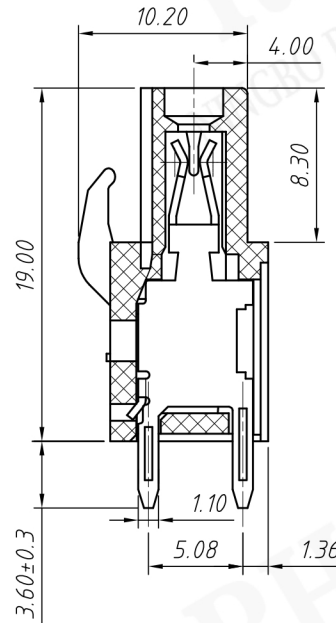
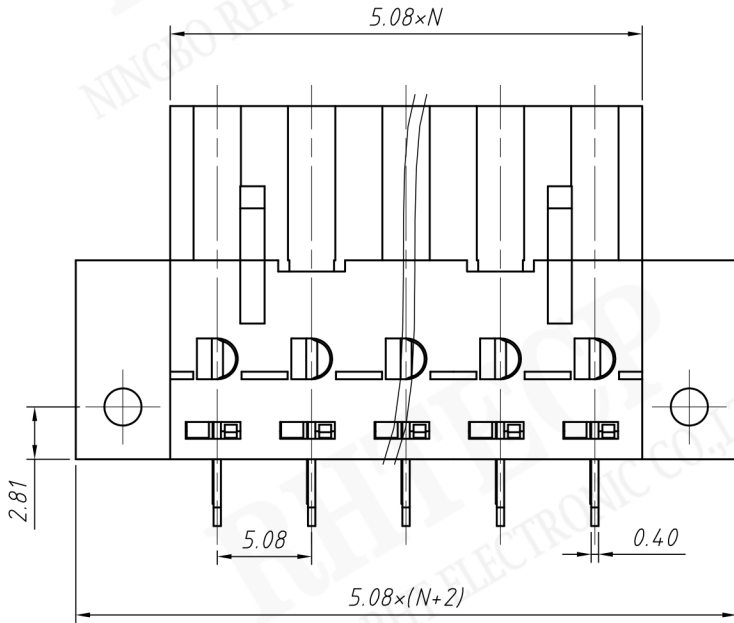


PCB LAYOUT



GENERAL TOLERANCE ANGLE TOLERANCE



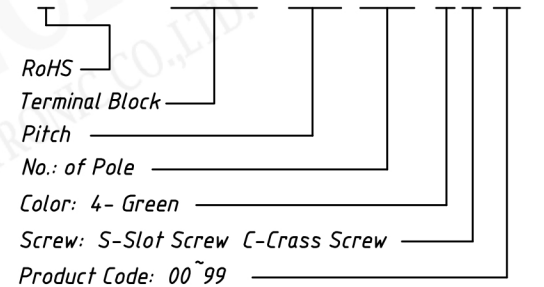
Material: PA66, UL94V-0  
 Housing: PA66, UL94V-0  
 Nut: M2.5, Brass  
 Clamp: Phosphor bronze, Tin plated

Electrical  
 Rated voltage: 300V  
 Rated current: 15A  
 Contact Resistance: 20 mΩ  
 Insulation resistance: 500MΩ/DC500V  
 Withstand voltage: AC2000V / 1 min

Mechanical  
 Temp. Range: -40 °C ~ +105 °C

Order Information

RE - C - EDKHM - 5.08 - XXP - 4 S 00



UNITS:mm	SHEET SIZE:A4		SCALE: ---
> 0 ~ 3	> 3 ~ 18	> 18 ~ 50	> 50 ~ 120
± 0.12	± 0.15	± 0.3	± 0.5