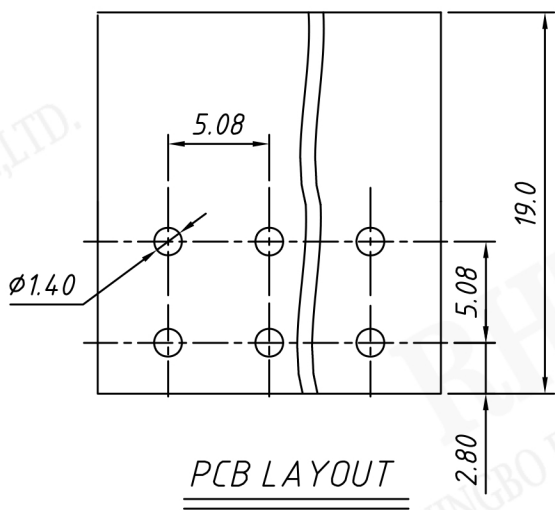
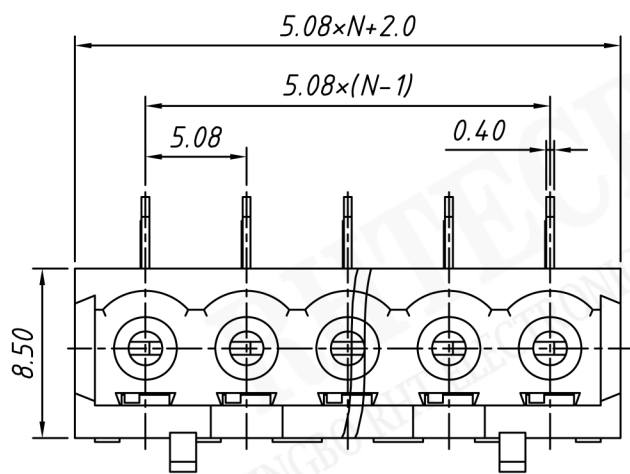


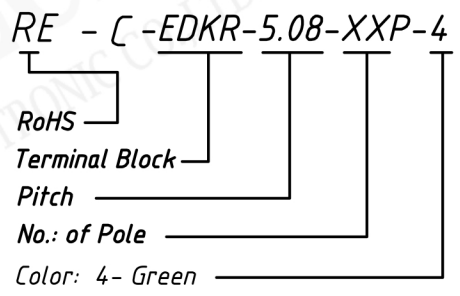
Material
 Pin header: Phosphor Bronze, Tin plated
 Housing: PA66, UL94V-0

Electrical
 Rated voltage: 300V
 Rated current: 15A
 Contact Resistance: 20 mΩ
 Insulation resistance: 500MΩ/DC500V
 Withstand voltage: AC2000V / 1 min



Mechanical
 Temp. Range: -40 °C ~ +105 °C
 Soldering: 250°C 5Sec. Max.

Order Information



UNITS:mm	SHEET SIZE:A4		SCALE: ---
> 0 ~ 3	> 3 ~ 18	> 18 ~ 50	> 50 ~ 120
± 0.12	± 0.15	± 0.3	± 0.5