

SECTION A-A



Material

Screw: M3, Steel, Zn plated

Cage: Brass, Nickel plated

Pin header: Brass, Tin plated

Housing: PA66, UL94V-0

Electrical

Rated voltage: 300V

Rated current: 15A

Wire range: 28~14AWG 2.5mm²

Contact Resistance: 20 mΩ

Insulation resistance: 500MΩ/DC500V

Withstand voltage: AC2000V / 1 min

Mechanical

Temp. Range: -40 °C ~ +105 °C

Torque: 0.5 N.m (4.43 Lb. in)

Strip length: 7~8 mm

Order Information

RE - C - DGKR - 5.00 - XXP - 4 S XX

RoHS

Terminal Block

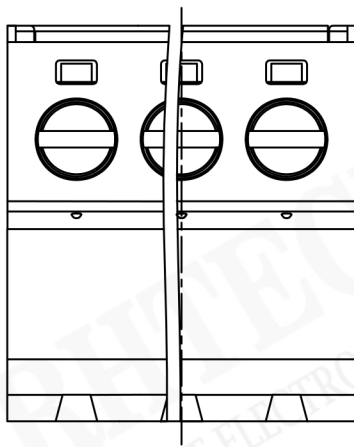
Pitch

No. of Pole

Product Code: 00~99

Screw: S- Slot Screw

Color: 4- Green



Material

Screw: M3, Steel, Zn plated

Cage: Brass, Nickel plated

Pin header: Brass, Tin plated

Housing: PA66, UL94V-0

Electrical

Rated voltage: 300V

Rated current: 15A

Wire range: 28~14AWG 2.5mm²

Contact Resistance: 20 mΩ

Insulation resistance: 500MΩ/DC500V

Withstand voltage: AC2000V / 1 min

Mechanical

Temp. Range: -40 °C ~ +105 °C

Torque: 0.5 N.m (4.43 Lb. in)

Strip length: 7~8 mm

Order Information

RE - C - DGKR-5.08-XXP-4 S XX

RoHS

Terminal Block

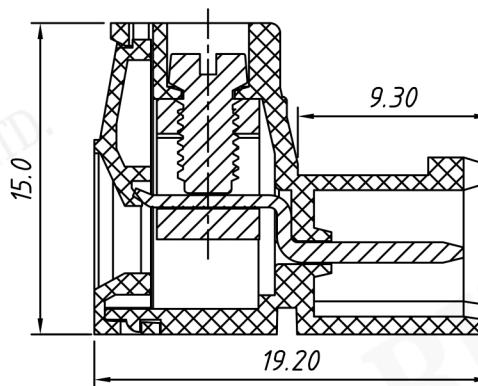
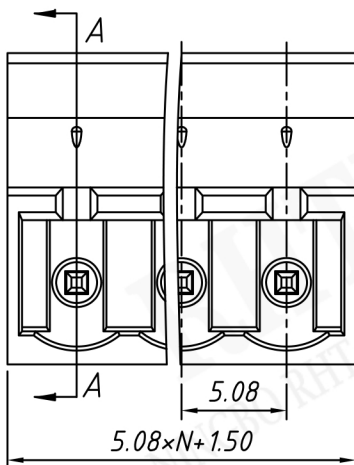
Pitch

No.: of Pole

Product Code: 00~99

Screw: S- Slot Screw

Color: 4- Green



SECTION A-A