

SECTION A-A



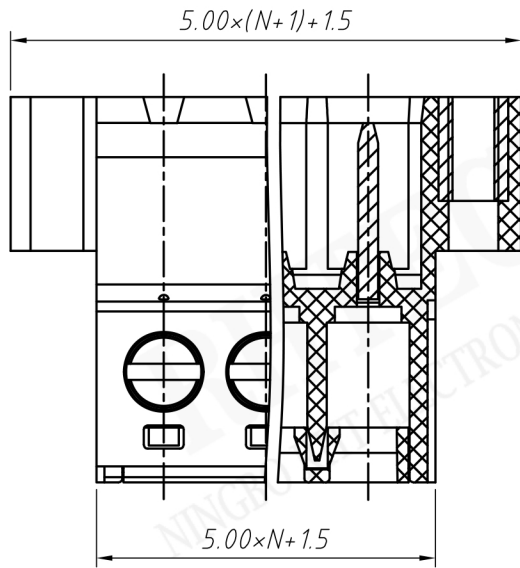
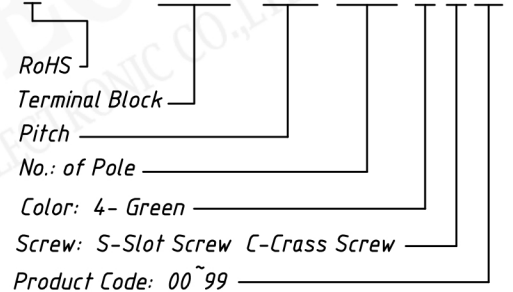
Material
 Housing: PA66, UL94V-0
 Screws: M3 Steel, Zinc plated
 Pin header: Brass, Tin plated
 Wire guard: Brass, Ni plated

Electrical
 Rated voltage: 300V
 Rated current: 15A
 Contact Resistance: 20 m Ω
 Insulation resistance: 500MΩ/DC500V
 Withstand voltage: AC2000V / 1 min
 Wire range: 28-14 AWG 2.5mm²

Mechanical
 Torque: 0.4Nn(3.6Lb.in)
 Steip Length: 7mm
 Temp. Range: -40 °C - + 105 °C

Order Information

RE - C - DGKM - 5.00 - XXP - 4 S 00



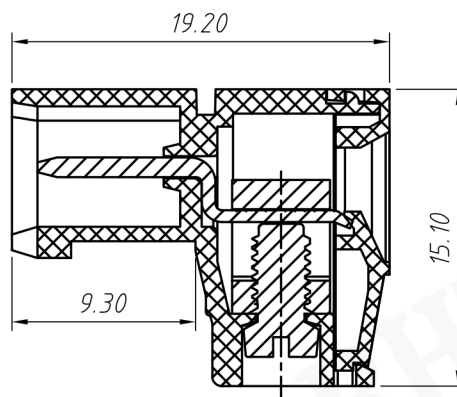
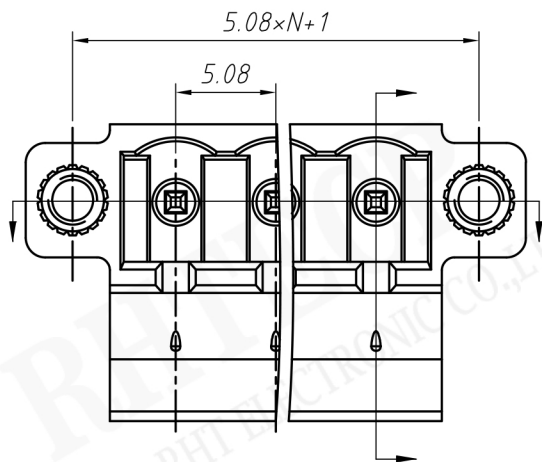
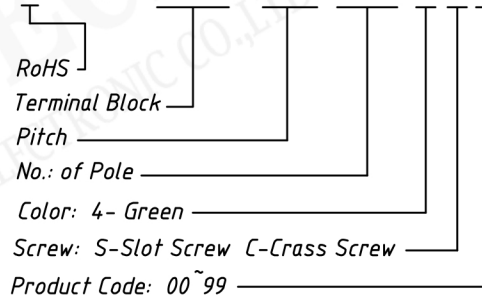
SECTION B-B



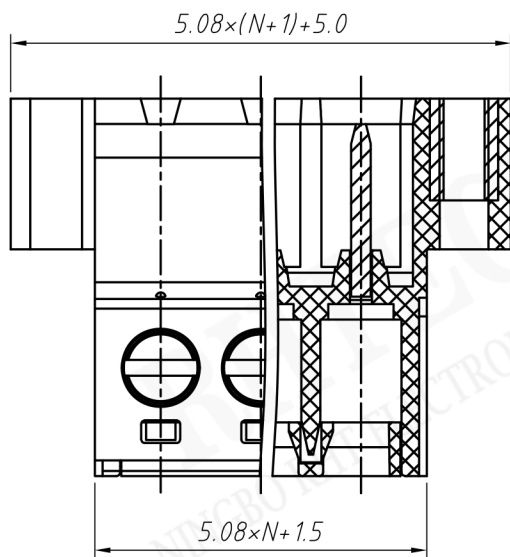
Material
Housing: PA66, UL 94V-0
Screws: M3 Steel, Zinc plated
Pin header: Brass, Tin plated
Wire guard: Brass, Ni plated
Electrical
Rated voltage: 300V
Rated current: 15A
Contact Resistance: 20 m Ω
Insulation resistance: 500MΩ/DC500V
Withstand voltage: AC2000V / 1 min
Wire range: 28-14 AWG 2.5mm²
Mechanical
Torque: 0.4Nn(3.6Lb.in)
Steip Length: 7mm
Temp. Range: -40 °C - + 105 °C

Order Information

RE - C - DGKM - 5.08 - XXP - 4 S 00



SECTION A-A



SECTION B-B