

SECTION: A-A

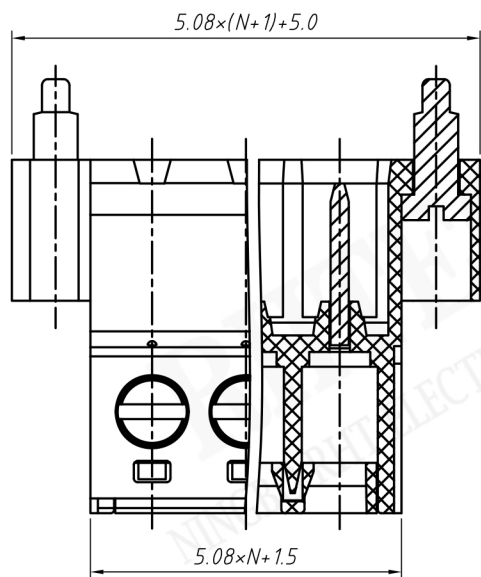
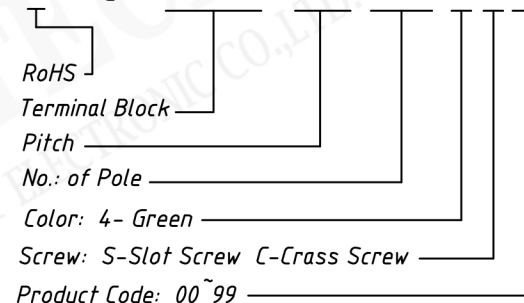


Material  
 Housing: PA66, UL94V-0  
 Screws: M3.0, Steel, Zinc plated  
 Pin header: Brass, Tin plated  
 Clamp: Brass, Ni plated

Electrical  
 Rated voltage: 300V  
 Rated current: 15A  
 Contact Resistance: 20 mΩ  
 Insulation resistance: 500MΩ/DC500V  
 Withstand voltage: AC2000V / 1 min  
 Wire range: 28-14 AWG 2.5mm<sup>2</sup>  
 Mechanical  
 Torque: 0.4Nm (3.6Lb.in)  
 Strip length: 7-8mm  
 Temp. Range: -40 °C - + 105 °C

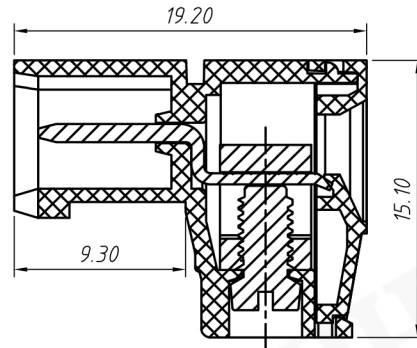
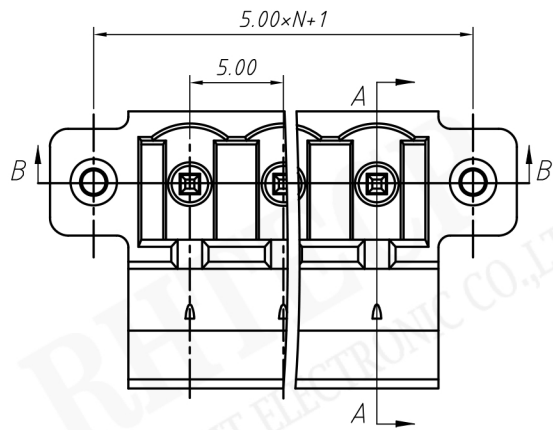
Order Information

RE - C - DGNKR - 5.08 - XXP - 4 S 00

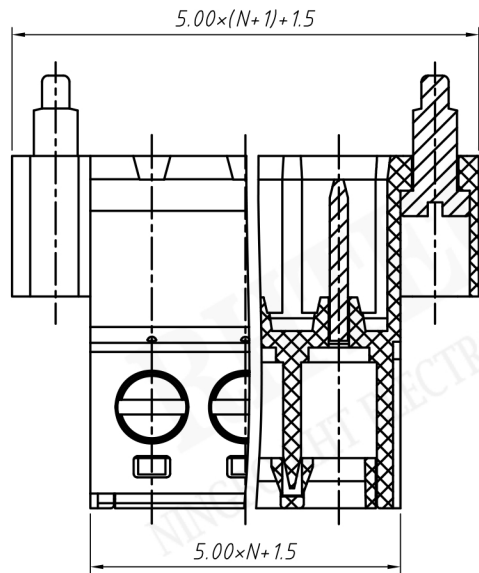


SECTION: B-B

UNITS:mm	SHEET SIZE:A4		SCALE: ---	First angle projection <b>TERMINAL BLOCK</b>
> 0~ 3	> 3~ 18	> 18~ 50	> 50~ 120	
± 0.12	± 0.15	± 0.3	± 0.5	



SECTION: A-A



SECTION: B-B



Material

Housing:

PA66, UL94V-0

Screws:

M3.0, Steel, Zinc plated

Pin header:

Brass, Tin plated

Clamp:

Brass, Ni plated

Electrical

Rated voltage: 300V

Rated current: 15A

Contact Resistance: 20 mΩ

Insulation resistance: 500MΩ/DC500V

Withstand voltage: AC2000V / 1 min

Wire range: 28-14 AWG 2.5mm<sup>2</sup>

Mechanical

Torque: 0.4Nm (3.6Lb.in)

Strip length: 7-8mm

Temp. Range: -40 °C - + 105 °C

Order Information

RE - C - DGNKR - 5.00 - XXP - 4 S 00

RoHS

Terminal Block

Pitch

No.: of Pole

Color: 4- Green

Screw: S-Slot Screw C-Cross Screw

Product Code: 00~99