

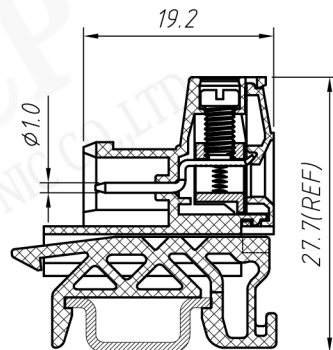
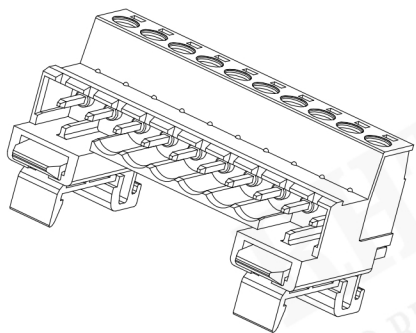
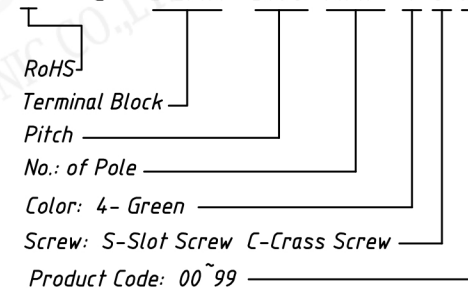
Material
Housing: PA66, UL94V-0
Screws: M3.0, Steel, Zinc plated
Pin header: Brass, Tin plated
Clamp: Brass, Ni plated

Electrical
Rated voltage: 300V
Rated current: 15A
Contact Resistance: 20 m Ω
Insulation resistance: 500MΩ/DC500V
Wire range: 28-14 AWG 2.5mm²
Withstand voltage: AC2000V / 1min

Mechanical
Torque: 0.5NM(4.5Lb.in)
Steip length: 7-8mm
Temp. Range: -40 °C ~ + 105 °C

Order Information

RE - C - DGXK - 5.08 - XXP - 4 S 00



UNITS:mm	SHEET SIZE:A4		SCALE: ---
> 0~ 3	> 3~ 18	> 18~ 50	> 50~ 120
± 0.12	± 0.15	± 0.3	± 0.5